

Installation manual

TurnLoader™ MD 1250/450





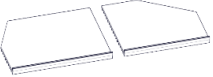








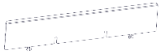
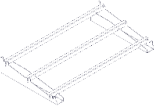

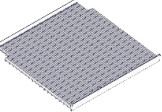
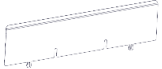
STANDARD SET - TurnLoader™ MD 1250/450 - TOP Art. No **0155-000**

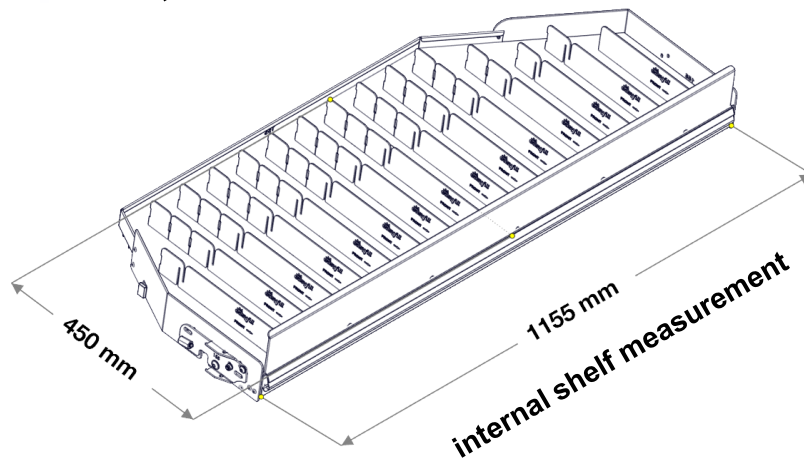
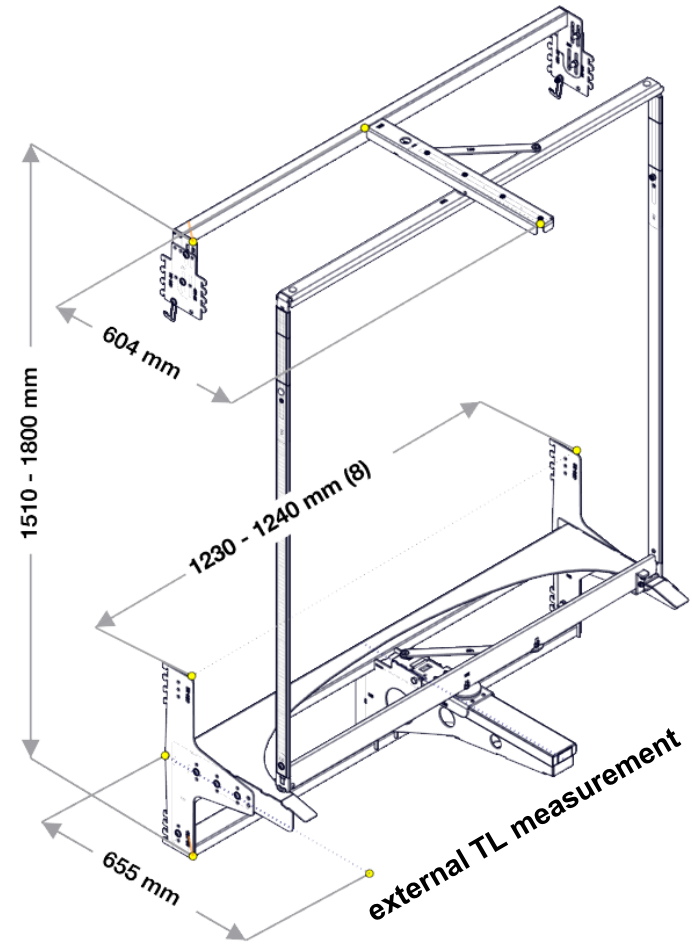
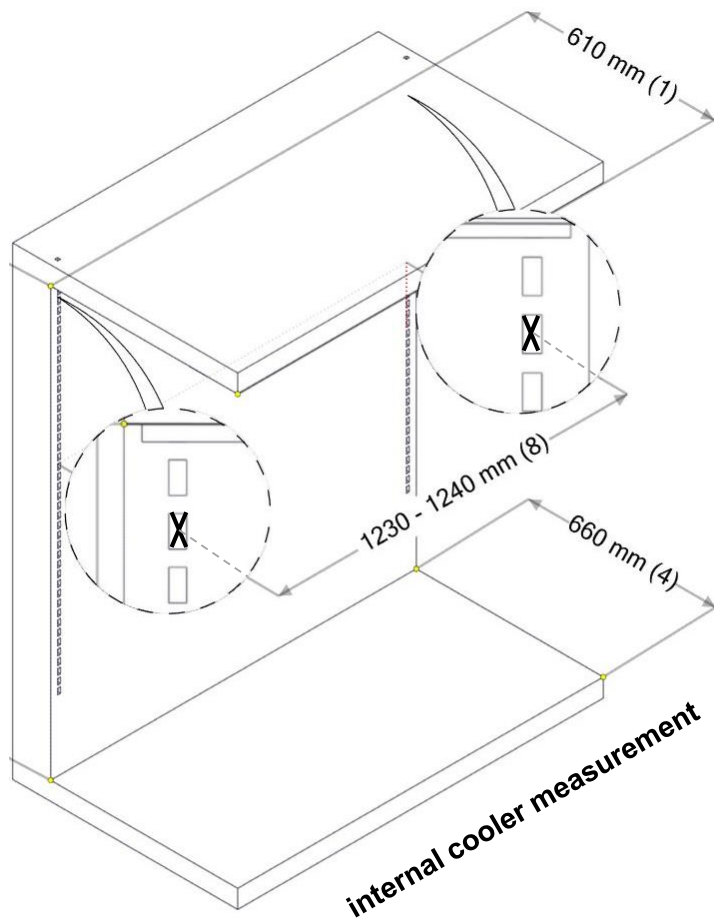
| TurnLoader MD 1250/450 packing details | | | | PARTS | | | TurnLoader MD 1250/450 packing details | | | | PARTS | | |
|--|-----------------|---------|---------------------------------------|------------------------------|--------------|-----|--|-----------------|---------|---------------------------------------|------------------------------|--------------|-----|
| SET Art. No | Picture packing | Picture | Product name | Art. No | Weight/ item | Qty | SET Art. No | Picture packing | Picture | Product name | Art. No | Weight/ item | Qty |
| 1/8 A 100519 packing 510 x 310 x 50 /mm/, weight = 5,0 kg | | | Top bracket 25/30 | 0155-50013-0 | 0,420 kg | 2 | 6/8 0155-62000-0 packing 1240 x 505 x 115 /mm/, weight = 12,5 kg | | | Adjustable Shelf 0°, 4°, 8°, 12° /450 | 0155-62600-0 | 6,700 kg | 1 |
| | | | Bottom bracket 25/30 | 0155-50011-0 | 1,455 kg | 2 | | | | Plastic part of adjustable shelf | 0155-62004-0 0155-62005-0 | 3,100 kg | 1 |
| | | | Handle for frame | 4010-10000-0 | 0,415 kg | 1 | | | | Fontstopper Hight 113 mm | 0155-1140-113 | kg | 1 |
| | | | Connecting mat. for -Frame | 0155-40000-0 | 0,325 kg | 1 | | | | Divider Easyfill Uni 620 | 400476 | 0,050 kg | 15 |
| 2/8 0155-73000-0 weight = 28,80 kg | | | Bottom Part | 0155-73000-0 | 29,800 kg | 1 | 7/8 0155-62000-0 packing 1240 x 505 x 115 /mm/, weight = 12,5 kg | | | Adjustable Shelf 0°, 4°, 8°, 12° /450 | 0155-62600-0 | 6,700 kg | 1 |
| 3/8 0155-08350-0 weight = 9,50 kg | | | Top part | 0155-08350-0 | 9,500 kg | 1 | | | | Plastic part of adjustable shelf | 0155-62004-0 0155-62005-0 | 3,100 kg | 1 |
| 4/8 0155-08500-0 weight = 4,50 kg | | | Adjustable frame | 0155-08500-0 | 4,500 kg | 1 | | | | Fontstopper Hight 113 mm | 0155-1140-113 | kg | 1 |
| 5/8 0155-62000-0 packing 1240 x 505 x 115 /mm/, weight = 12,5 kg | | | Adjustable Shelf 0°, 4°, 8°, 12° /450 | 0155-62600-0 | 6,700 kg | 1 | | | | Divider Easyfill Uni 620 | 400476 | 0,050 kg | 15 |
| 5/8 0155-62000-0 packing 1240 x 505 x 115 /mm/, weight = 12,5 kg | | | Plastic part of adjustable shelf | 0155-62004-0 0155-62005-0 | 3,100 kg | 1 | 8/8 0155-62000-0 packing 1240 x 505 x 115 /mm/, weight = 12,5 kg | | | Adjustable Shelf 0°, 4°, 8°, 12° /450 | 0155-62600-0 | 6,700 kg | 1 |
| | | | Fontstopper Hight 113 mm | 0155-1140-113 | kg | 1 | | | | Plastic part of adjustable shelf | 0155-62004-0 0155-62005-0 | 3,100 kg | 1 |
| | | | Divider Easyfill Uni 620 | 400476 | 0,050 kg | 15 | | | | Fontstopper Hight 113 mm | 0155-1140-113 | kg | 1 |
| | | | Price Ticket LE-1140 | CLSTR-459205-LE | kg | 1 | | | | Divider Easyfill Uni 620 | 400476 | 0,050 kg | 15 |
| | | | Price Ticket LE-1140 | CLSTR-459205-LE | kg | 1 | | | | Price Ticket LE-1140 | CLSTR-459205-LE | kg | 1 |

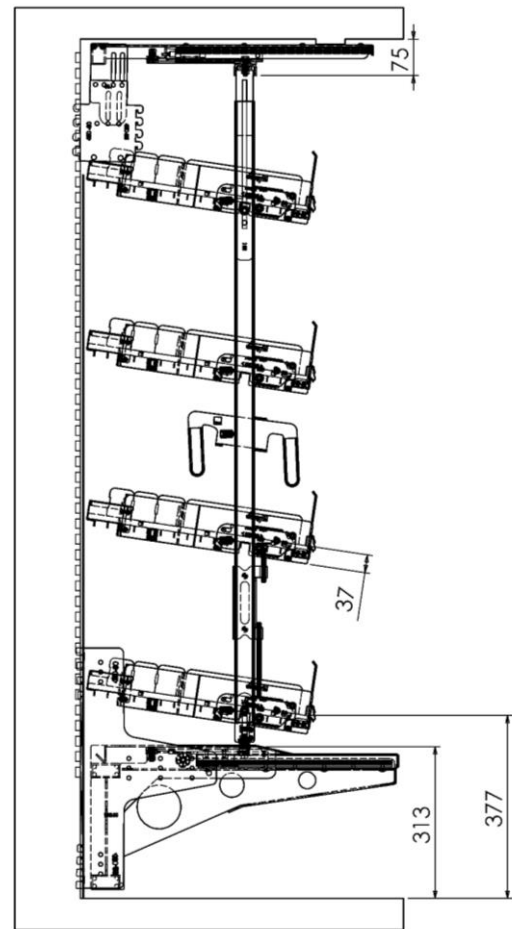
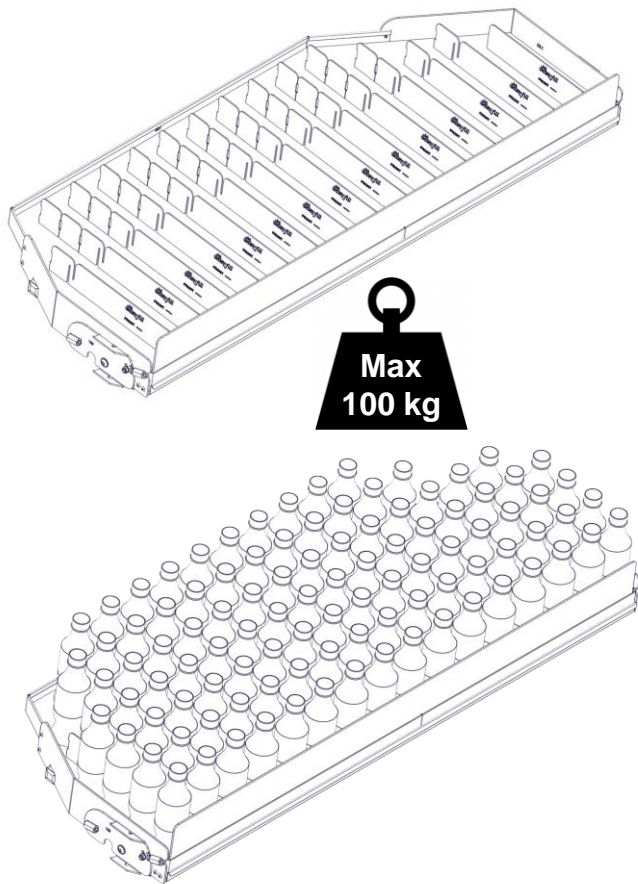
EXTRA SET - TurnLoader™ MD 1250/450

| TurnLoader MD 1250/450 packing details | | | PARTS | | | | TurnLoader MD 1250/450 packing details | | | PARTS | | | |
|---|-----------------|---------|-----------------------------------|--------------|--------------|-------|--|-----------------|---------|--|------------------------------|--------------|-------|
| SET Art. No | Picture packing | Picture | Product name | Art. No | Weight/ item | Qty . | SET Art. No | Picture packing | Picture | Product name | Art. No | Weight/ item | Qty . |
| 100516 packing 650 x 580 x 200 /mm/ , weight = 10,2 kg | | | Bottom Shelf | 0155-44100-0 | 1,800 kg | 2 | 0155-62000-0 packing 1240 x 505 x 115 /mm/ , weight = 12,5 kg | | | Adjustable Shelf 0°,4°,8°,12° /450 | 0155-62600-0 | 6,700 kg | 1 |
| | | | Plastic part of bottom shelf | 0155-44001-0 | 2,144 kg | 2 | | | | Plastic part of adjustable shelf | 0155-62004-0 0155-62005-0 | 3,100 kg | 1 |
| | | | Frontstopper UNI620 High H 113 mm | 0620-00113 | 0,213 kg | 2 | | | | Fontstopper Hight 113 mm | 0155-1140-113 | kg | 1 |
| | | | Divider Easyfill Uni 620 | 400476 | 0,050 kg | 16 | | | | Divider Easyfill Uni 620 | 400476 | 0,050 kg | 15 |
| 1/8 B 100518 packing 510 x 310 x 50 /mm/ , weight = 5,0 kg | | | Top bracket 25/32 | 0155-50014-0 | 0,420 kg | 2 | | | | Price Ticket LE-1140 | CLSTR-459205-LE | kg | 1 |
| | | | Bottom bracket 25/32 | 0155-50012-0 | 1,455 kg | 2 | | | | | | | |
| | | | Handle for frame | 4010-10000-0 | 0,415 kg | 1 | | | | | | | |
| | | | Connecting mat. for -Frame | 0155-40000-0 | 0,325 kg | 1 | | | | | | | |

ACCESSORIES

| TurnLoader packing details | | ACCESSORIES | | | TurnLoader packing details | | ACCESSORIES | | |
|---|-------------------------------------|------------------------------|--------------|-----|---|--|--------------|--------------|-----|
| Picture | Product name | Art. No | Weight /item | Qty | Picture | Product name | Art. No | Weight /item | Qty |
|  | Adjustable Shelf 0°-12°/450 | 0155-62600-0 | 6,700 kg | 1 |  | Divider Easyfill Uni 620 | 400476 | 0,050 kg | 1 |
|  | Plastic part of adjustable shelf | 0155-62004-0 0155-62005-0 | 3,100 kg | 1 |  | Divider extender L=483 mm | 889090 | 0,030 kg | 1 |
|  | Price Ticket LE- 1140 | CLSTR-459205-LE | 0,050 kg | 1 |  | Pusher | 0118-00000-0 | 0,050 kg | 1 |
|  | Frontstopper High H 113 mm | 0155-1140-113 | 0,630 kg | 1 |  | Rollertrack | 400392 | 0,150 kg | 1 |
|  | Frontstopper Low H 54 mm | 0155-01140-54 | 0,250 kg | 1 |  | Handle for frame | 4010-10000-0 | 0,415 kg | 1 |
|  | Frontstopper ExtraHigh H163 mm | 0155-01140-163 | 0,850 kg | 1 |  | Frontstopper UNI620 High H 113 mm | 0620-00113 | 0,343 kg | 1 |
|  | Bottom Shelf | 0155-44100-0 | 1,800 kg | 1 |  | Frontstopper UNI620 Low H 54 mm | 400437 | 0,150 kg | 1 |
|  | Plastic part of bottom shelf | 0155-44001-0 | 2,144 kg | 1 |  | Frontstopper UNI620 ExtraHigh H163 mm | 0620-00163 | 0,460 kg | 1 |





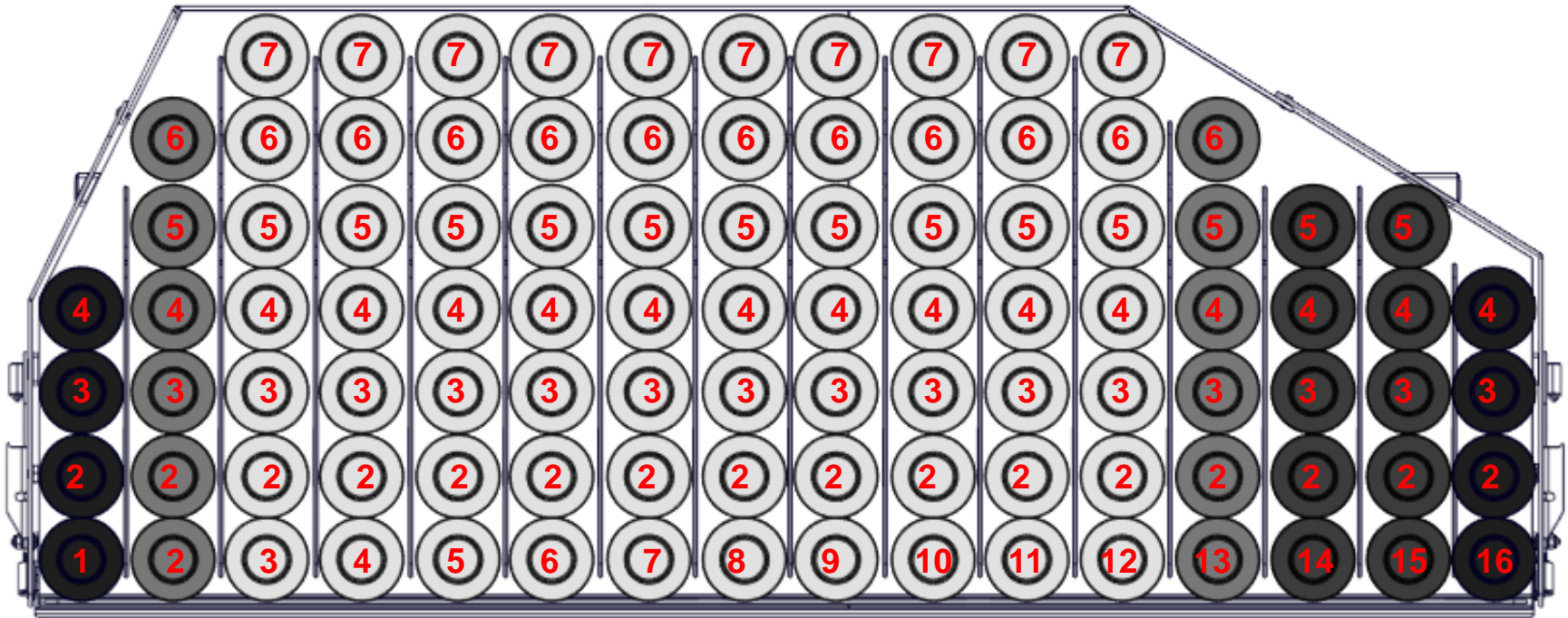
TL MD 1250/450 measurement

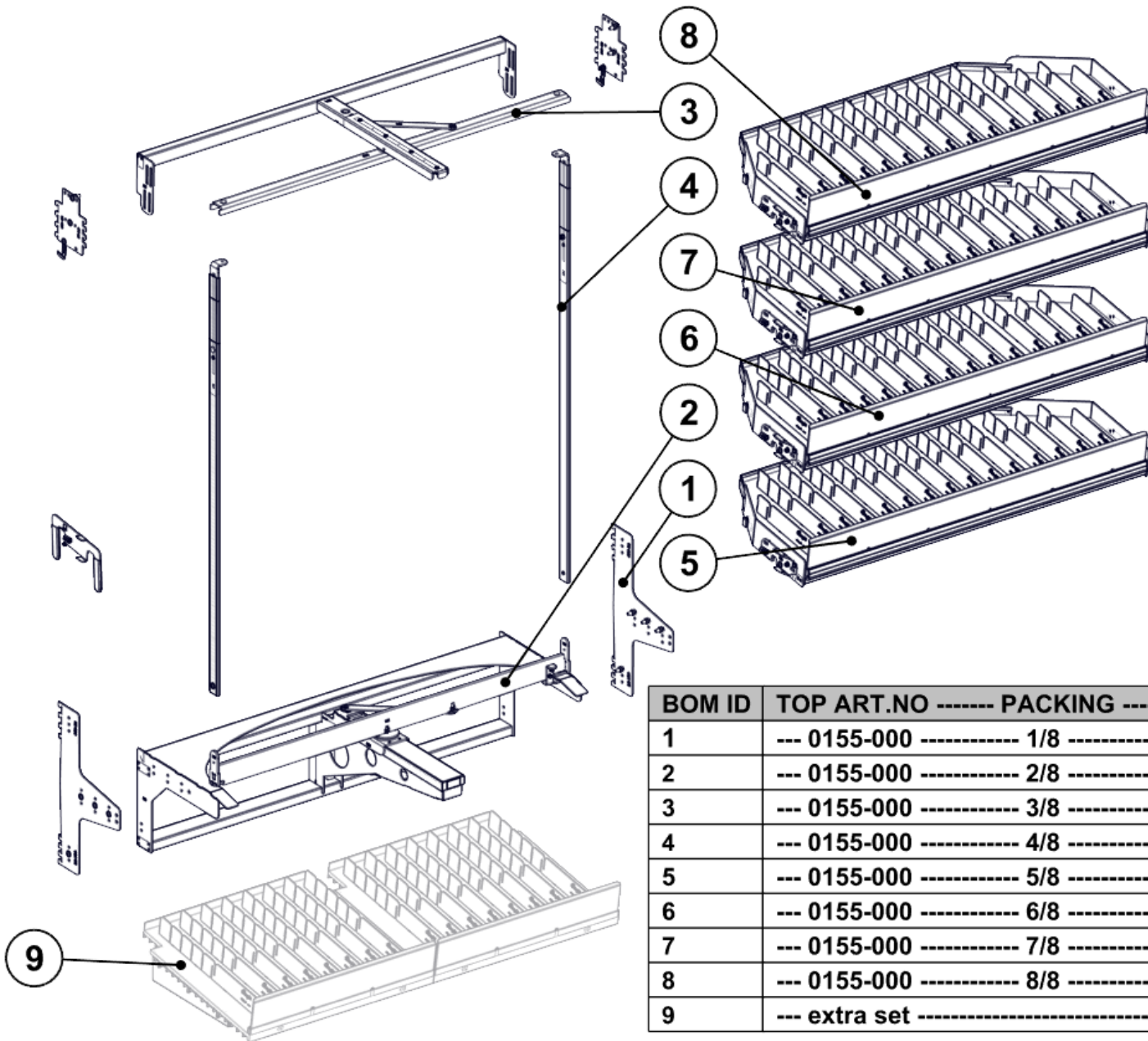


- 500 ml PET
- Ø 65 mm
- 0,48 m2

| |
|--------------------|
| $4 \times 2 = 8$ |
| $5 \times 2 = 10$ |
| $6 \times 2 = 12$ |
| $7 \times 10 = 70$ |

= 100





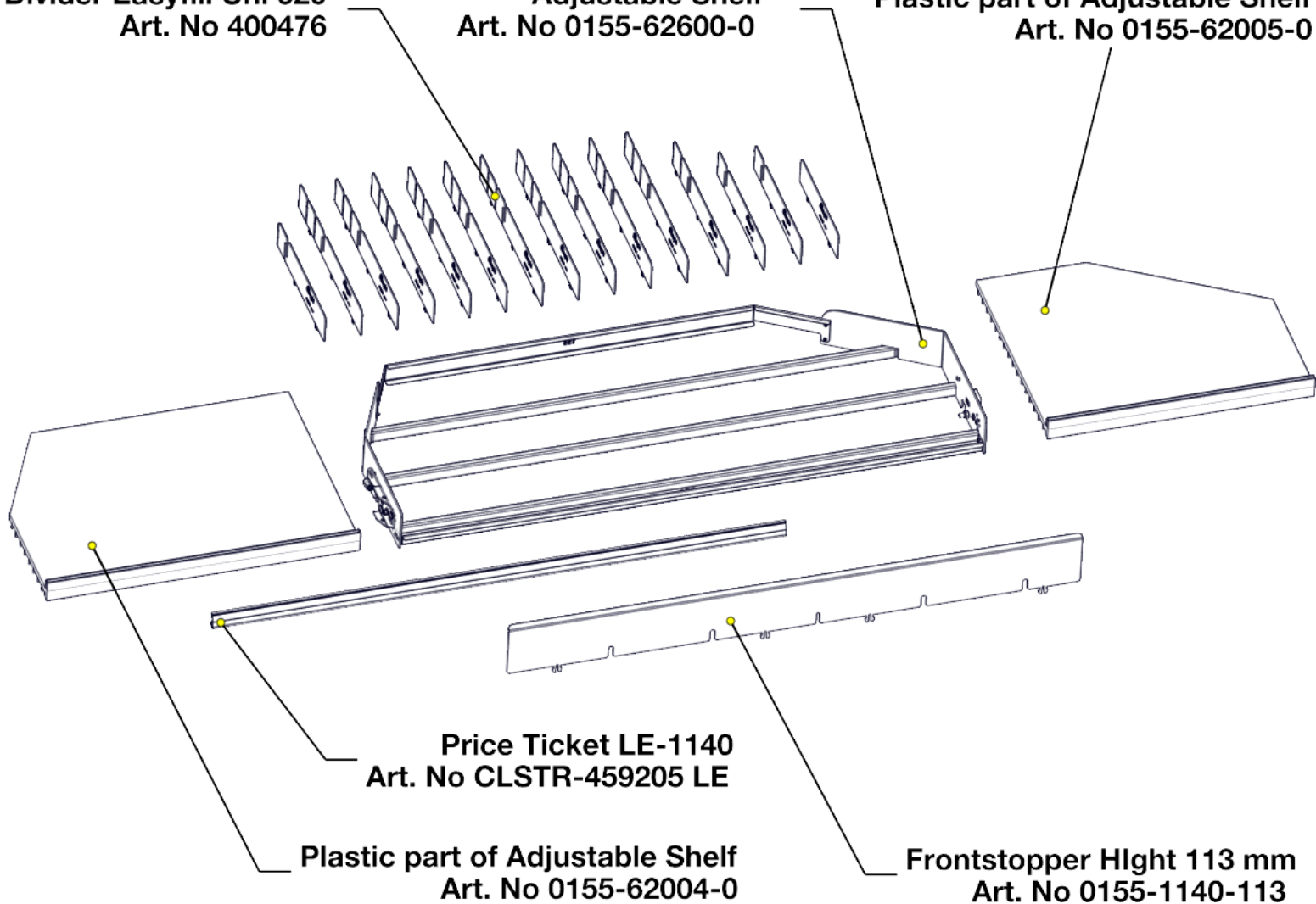
| BOM ID | TOP ART.NO | ----- | PACKING | ----- | SET ART. NO |
|--------|---------------|-------|---------|-------|--------------|
| 1 | --- 0155-000 | ----- | 1/8 | ----- | 100519 |
| 2 | --- 0155-000 | ----- | 2/8 | ----- | 0155-73000-0 |
| 3 | --- 0155-000 | ----- | 3/8 | ----- | 0155-08350-0 |
| 4 | --- 0155-000 | ----- | 4/8 | ----- | 0155-08500-0 |
| 5 | --- 0155-000 | ----- | 5/8 | ----- | 0155-62000-0 |
| 6 | --- 0155-000 | ----- | 6/8 | ----- | 0155-62000-0 |
| 7 | --- 0155-000 | ----- | 7/8 | ----- | 0155-62000-0 |
| 8 | --- 0155-000 | ----- | 8/8 | ----- | 0155-62000-0 |
| 9 | --- extra set | ----- | | ----- | 100516 |

SET Art.No. 0155-62000-0

Divider Easyfill Uni 620
Art. No 400476

Adjustable Shelf
Art. No 0155-62600-0

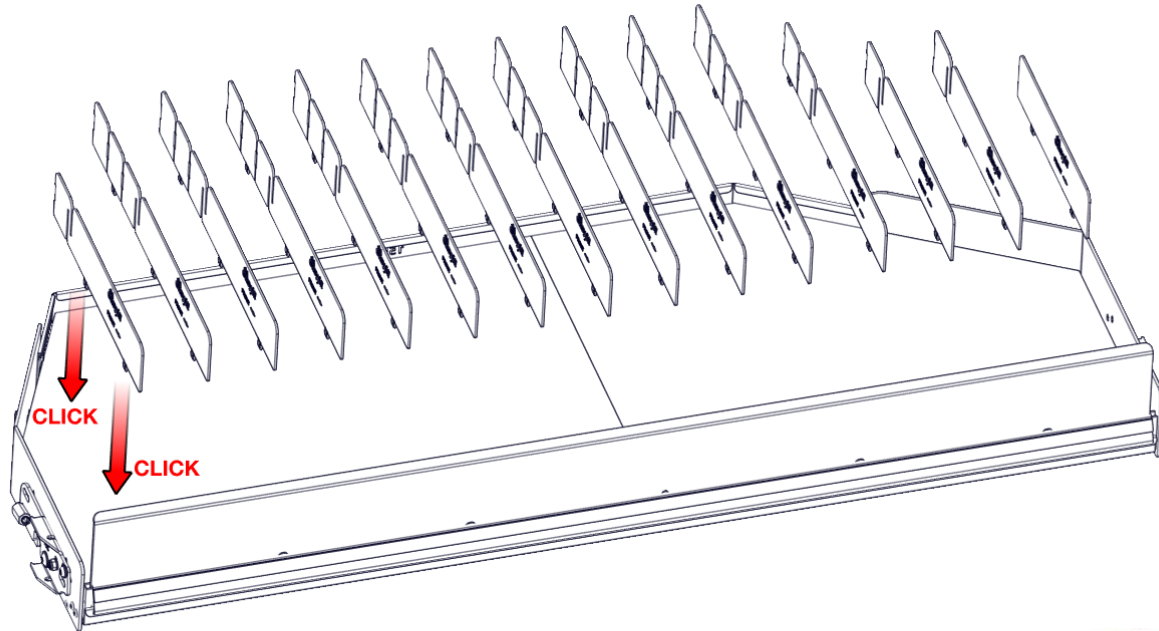
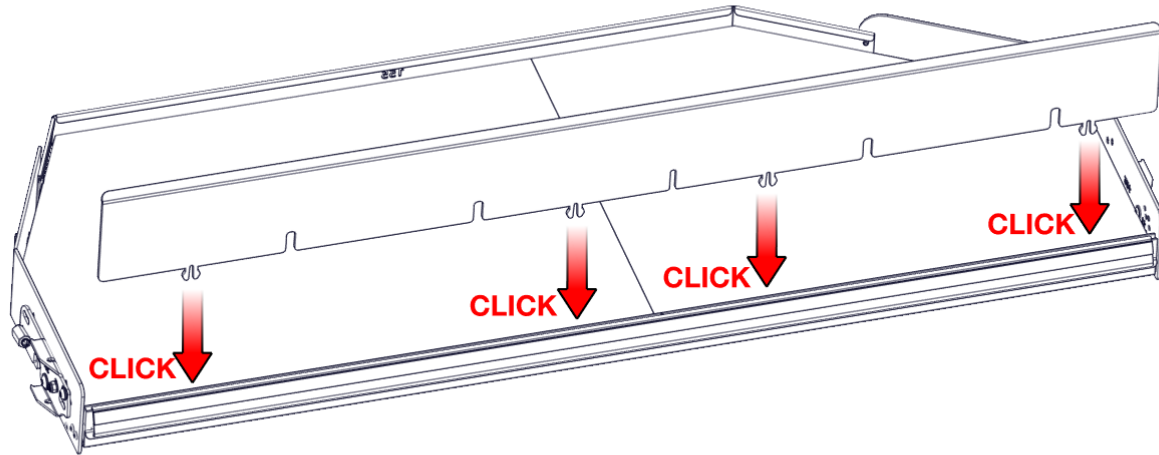
Plastic part of Adjustable Shelf
Art. No 0155-62005-0

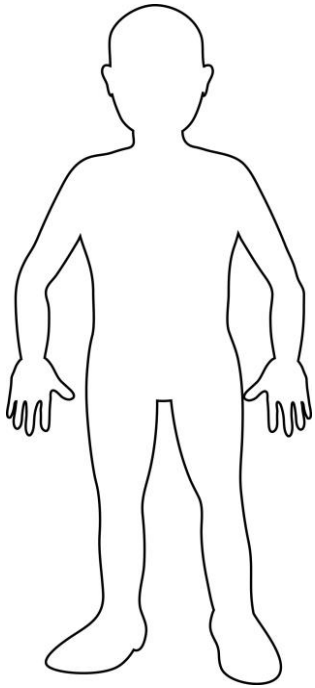


Price Ticket LE-1140
Art. No CLSTR-459205 LE

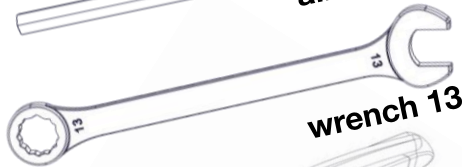
Plastic part of Adjustable Shelf
Art. No 0155-62004-0

Frontstopper Hight 113 mm
Art. No 0155-1140-113

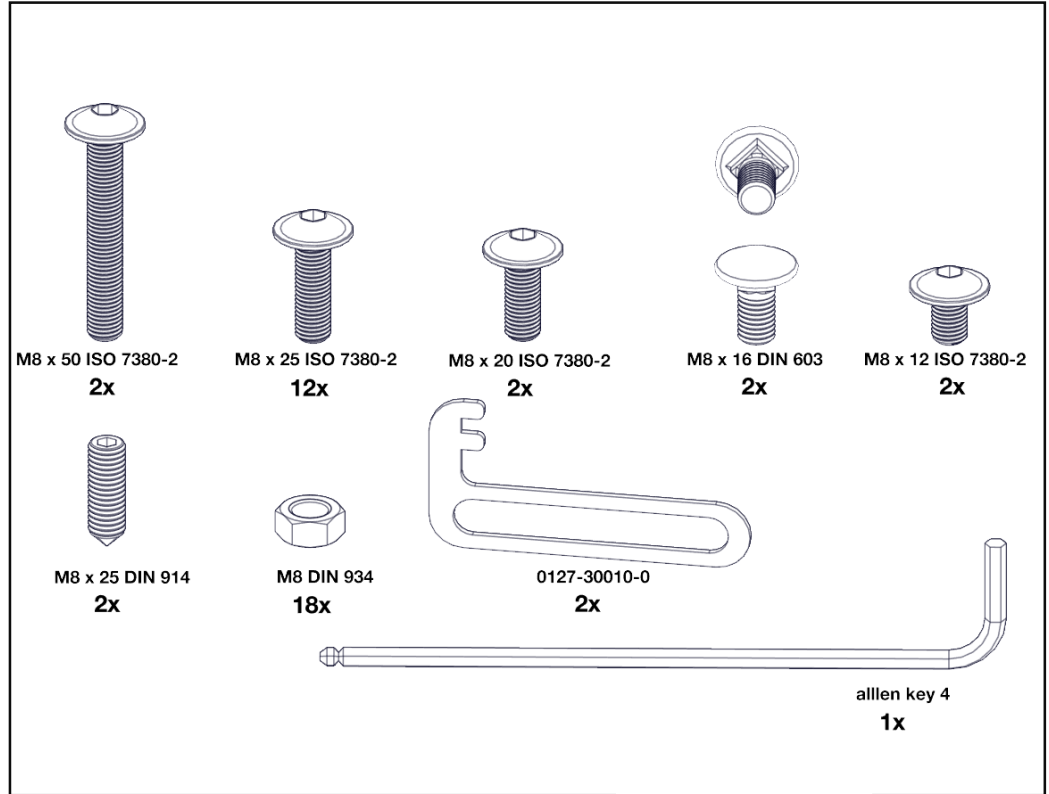
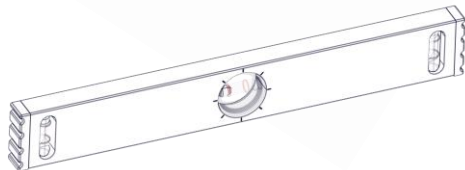




allen key 5

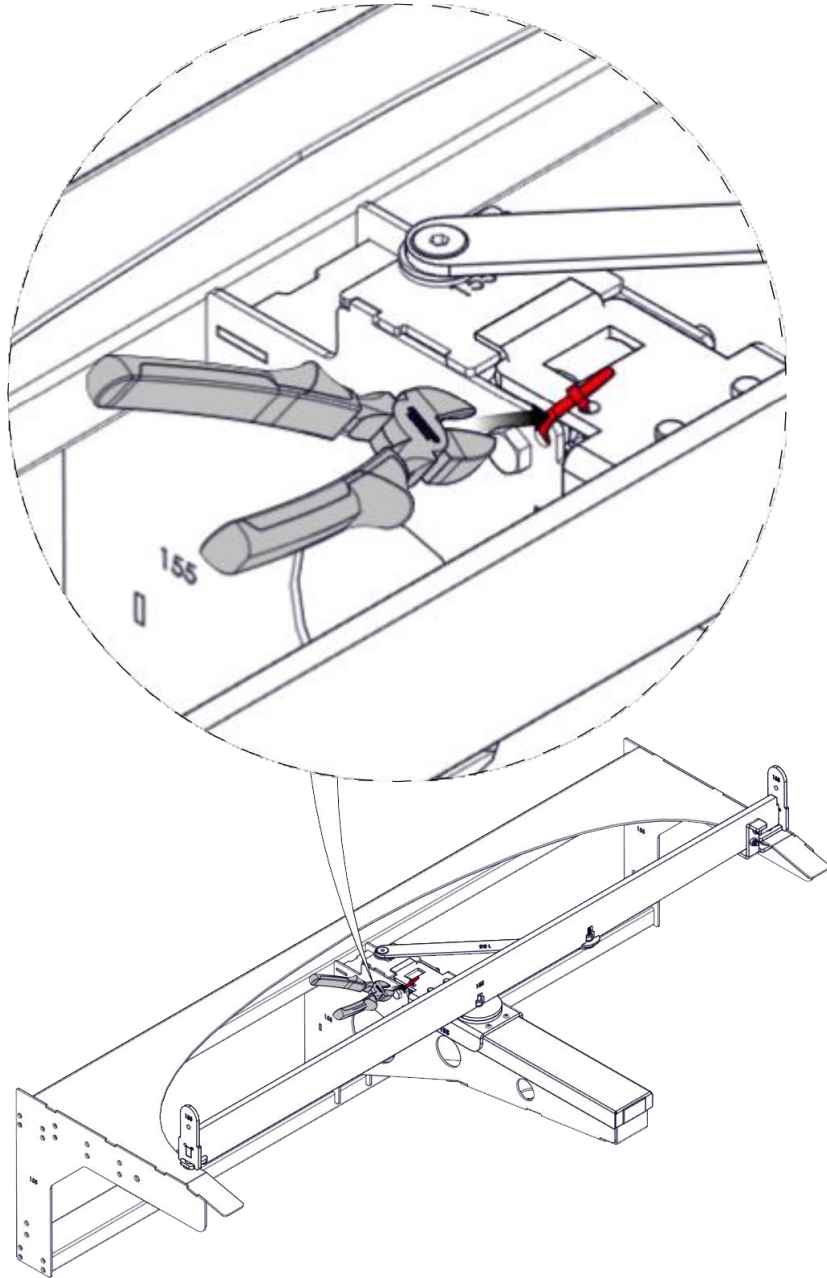


wrench 13

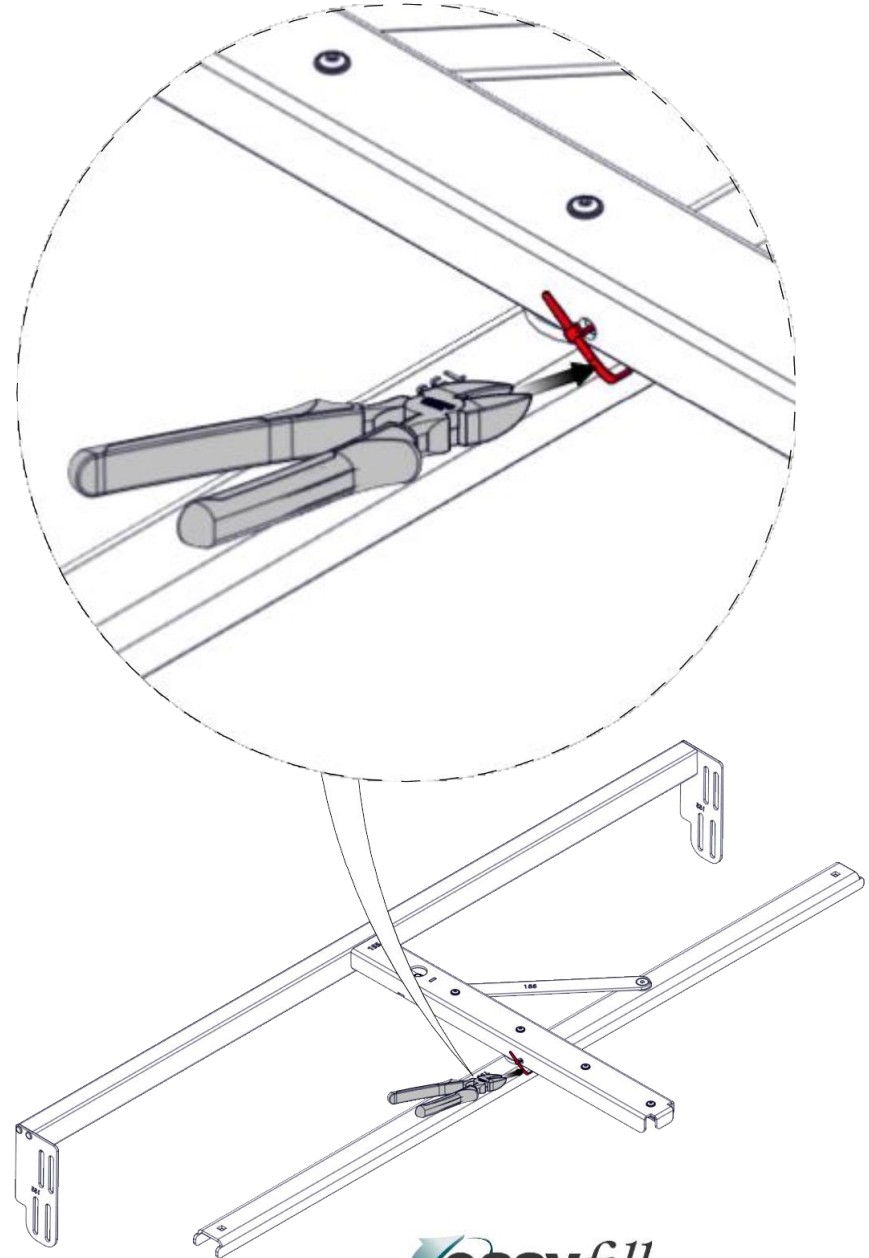


0155-40000-0

Art.No. 0155-73000-0

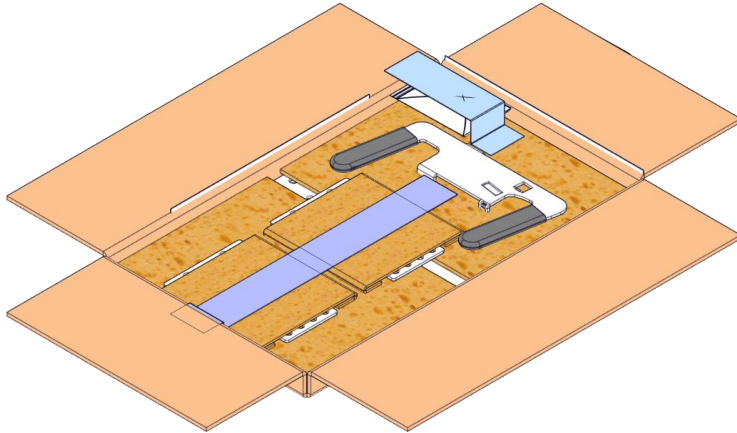


Art.No. 0155-08350-0

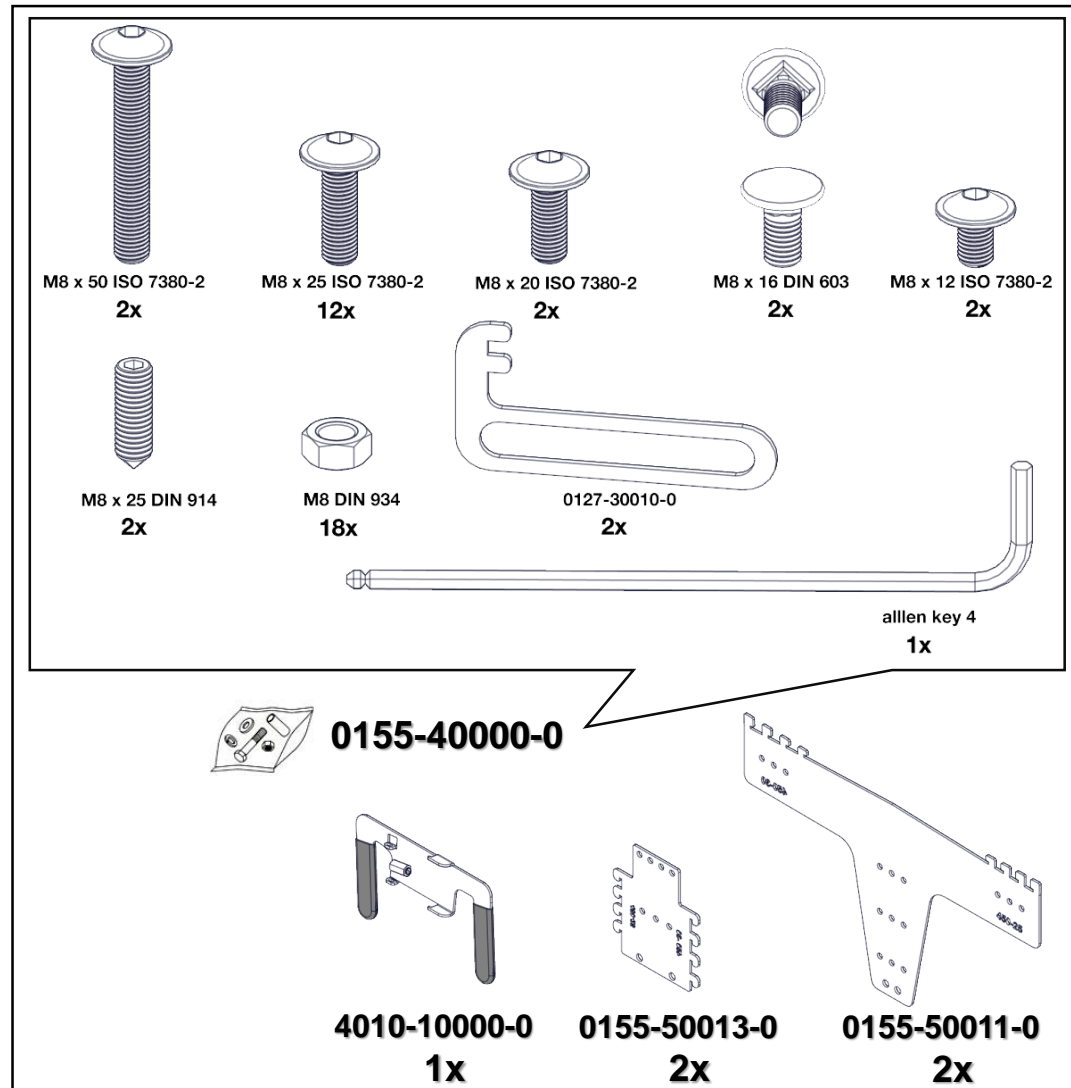


Installation brackets

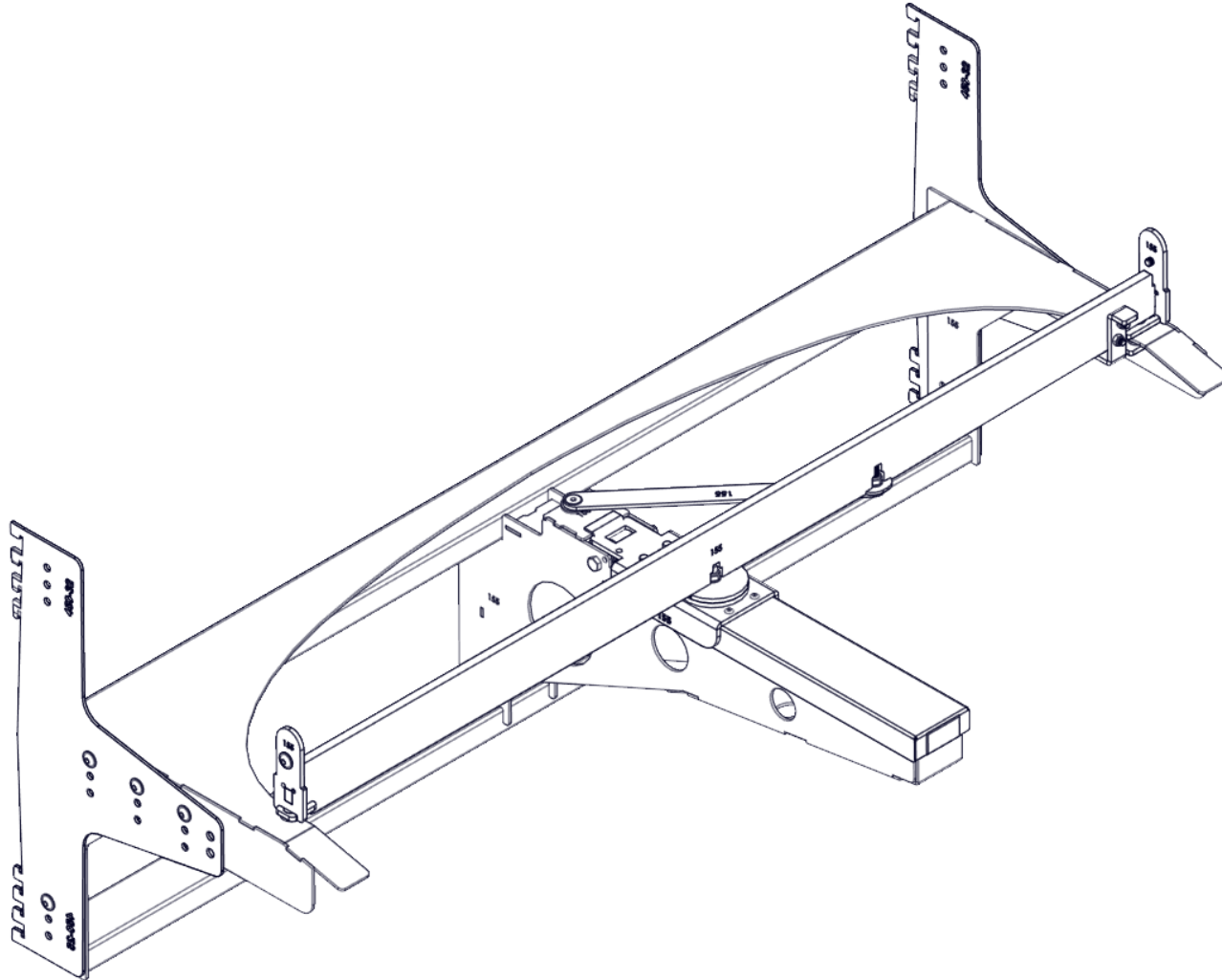
Art.No. 100519



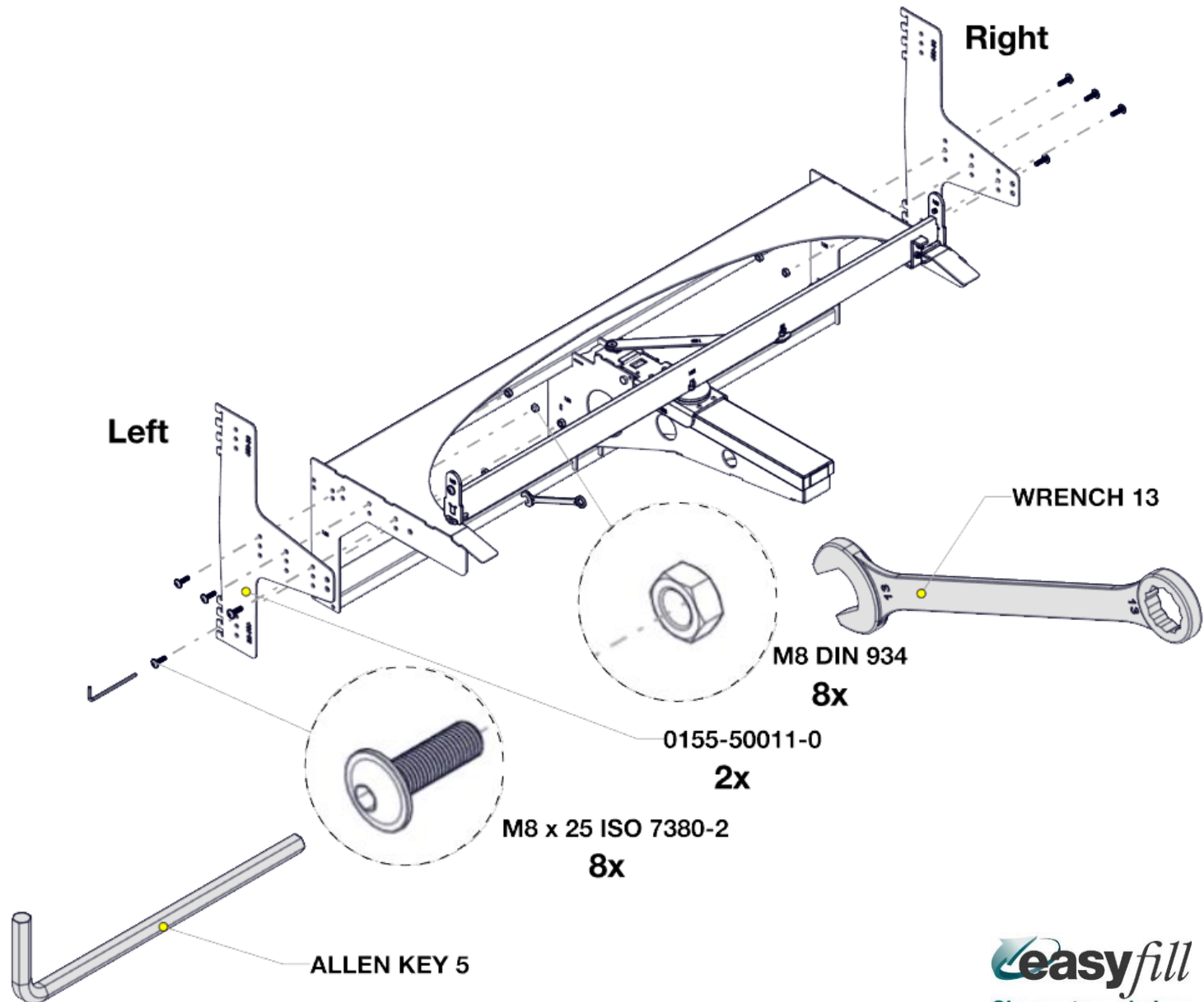
- connecting material for frame,
- handle for frame ,
- brackets 25/30



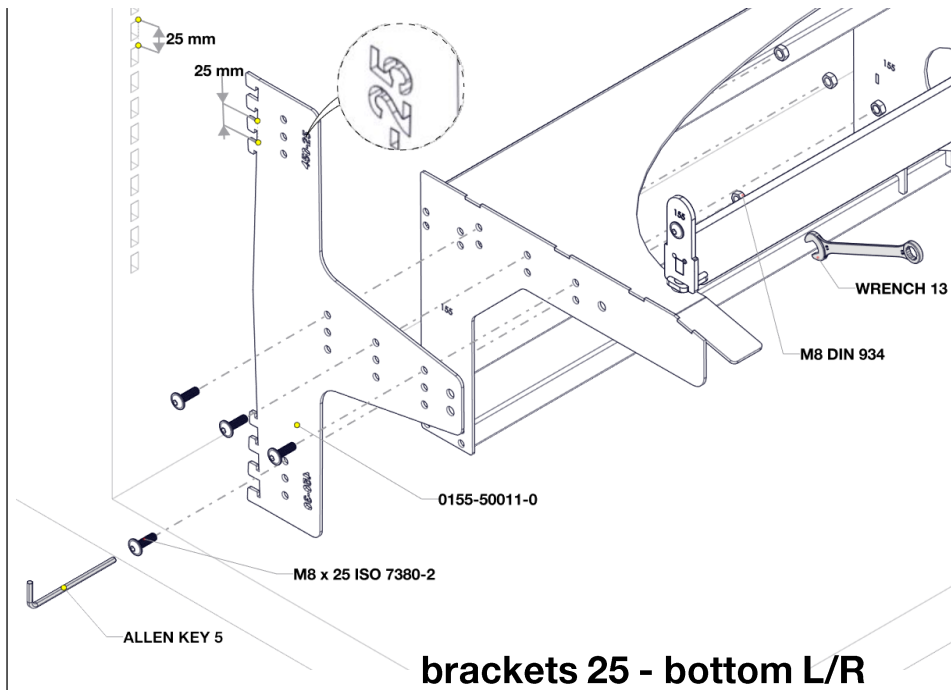
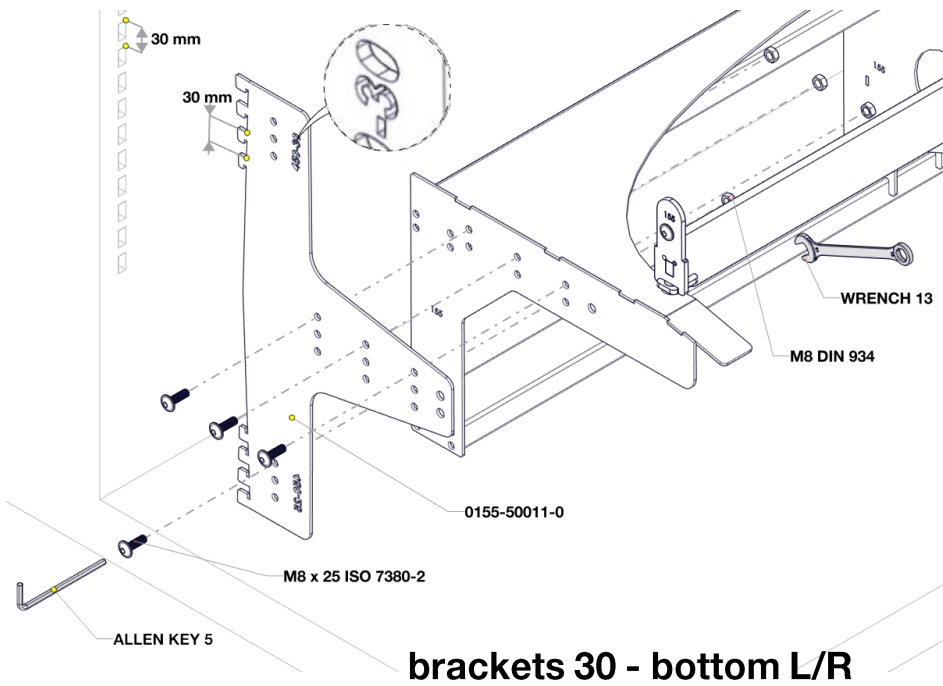
Installation of bottom part Art.No. 0155-73000-0 + bottom brackets



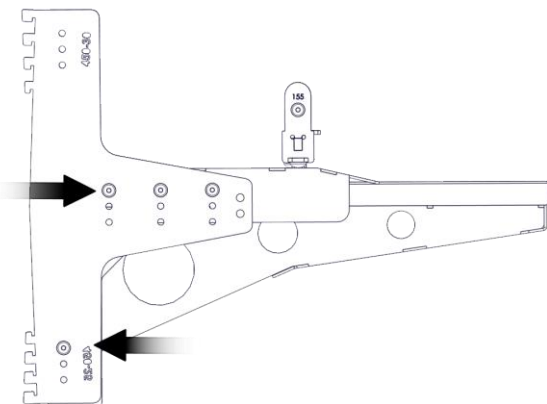
Art.No. 0155-73000-0 + bottom brackets



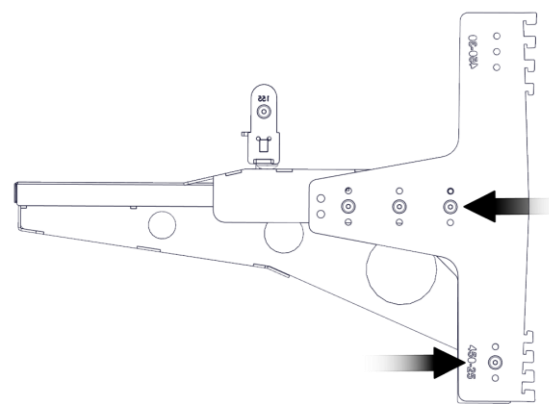
Art.No. 0155-73000-0 + bottom brackets



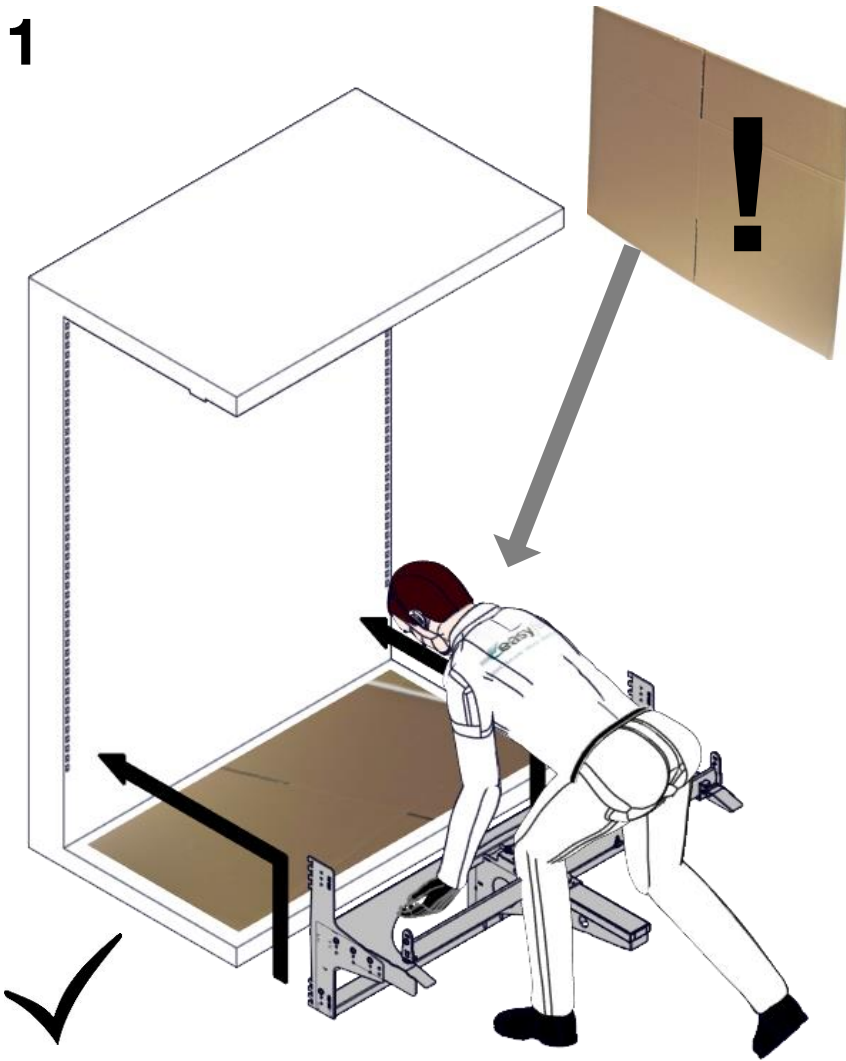
Left



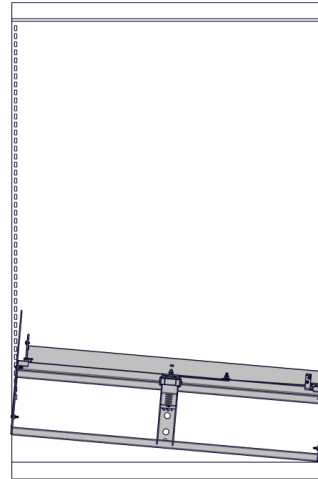
Right



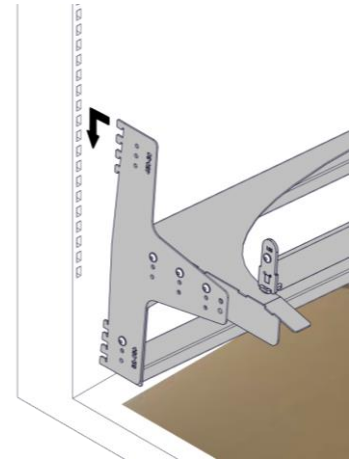
1



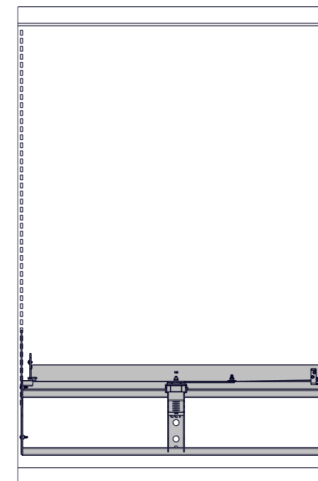
1a



1b



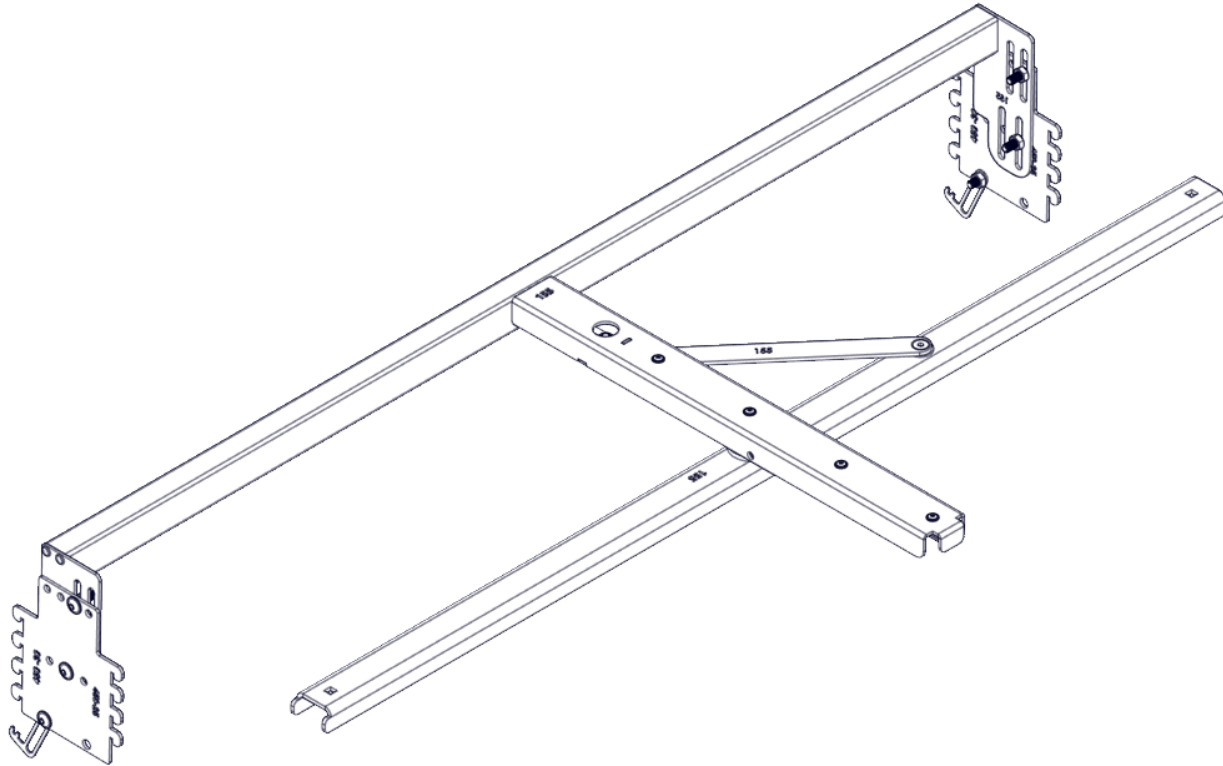
1c



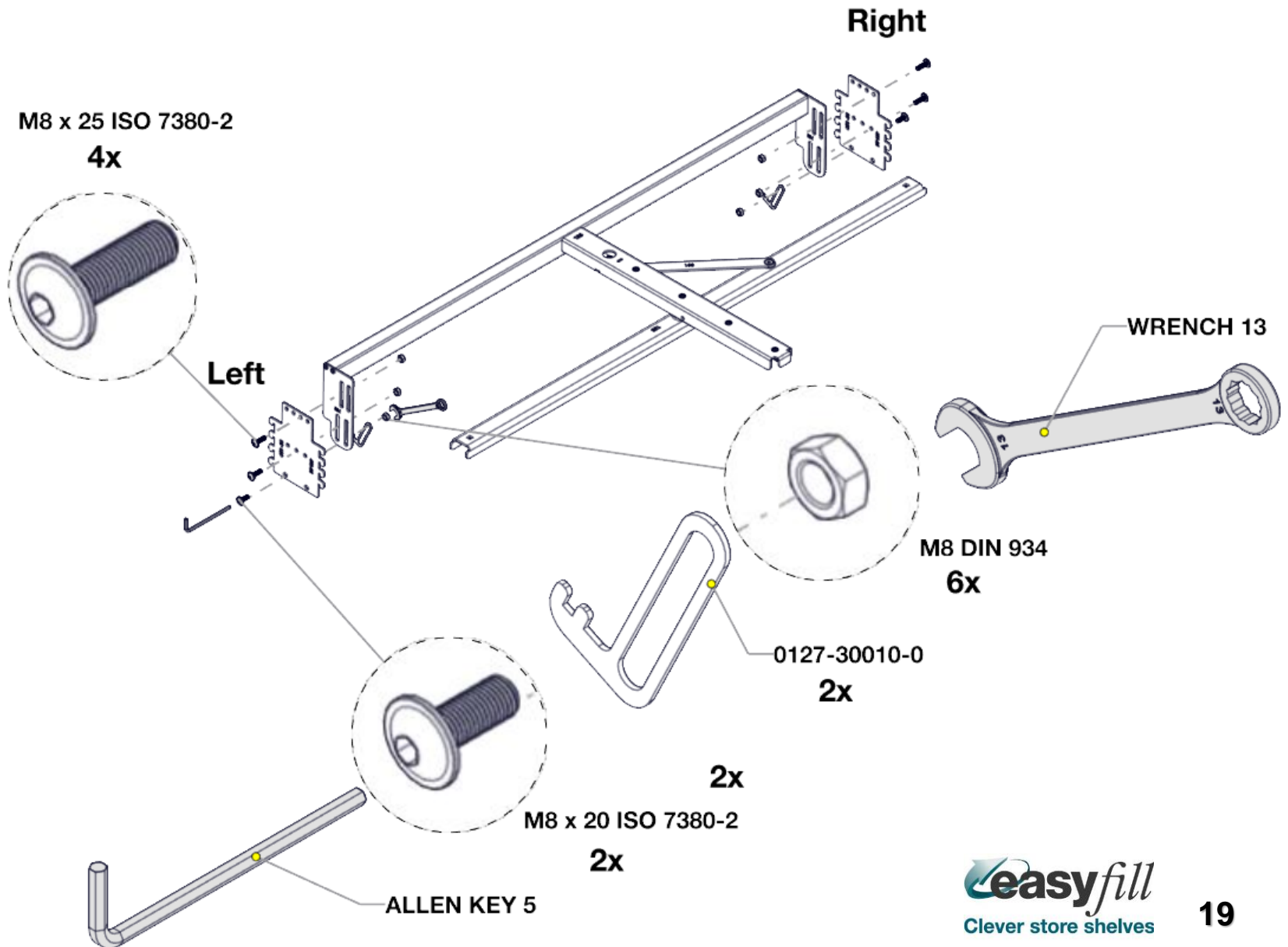
1d



Installation of top part Art.No. 0155-08350-0 + top brackets

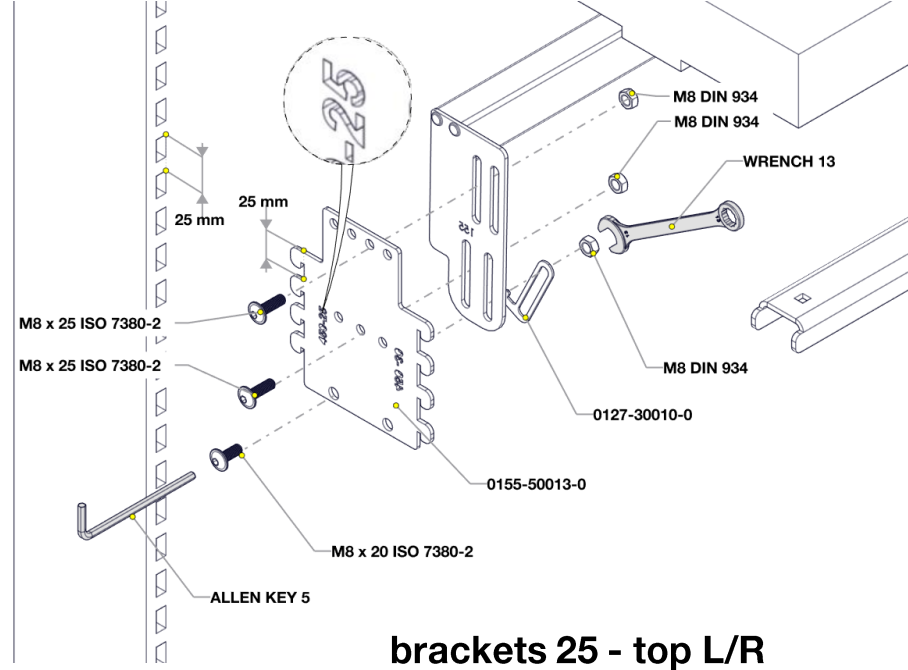
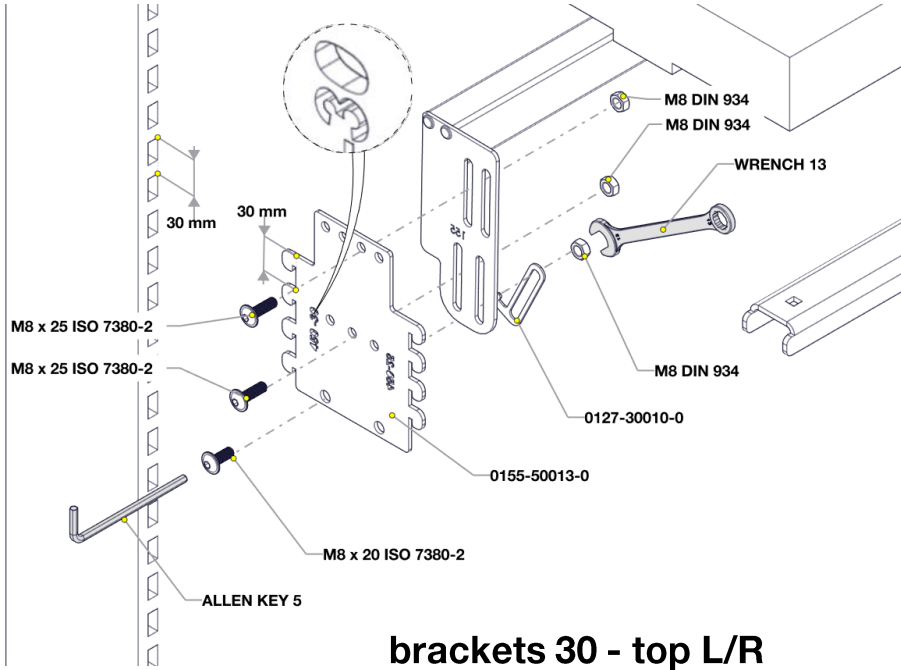


Installation of top part Art.No. 0155-08350-0 + top brackets

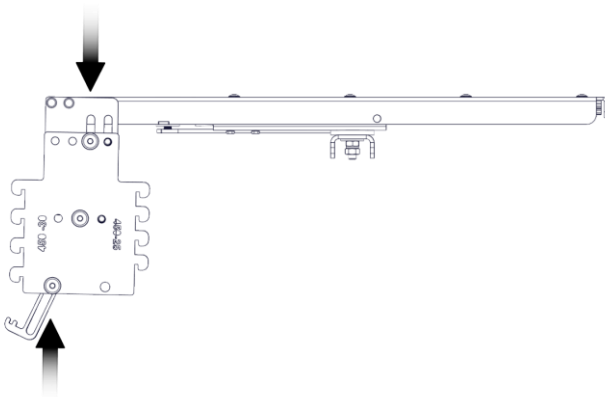


Installation of top part

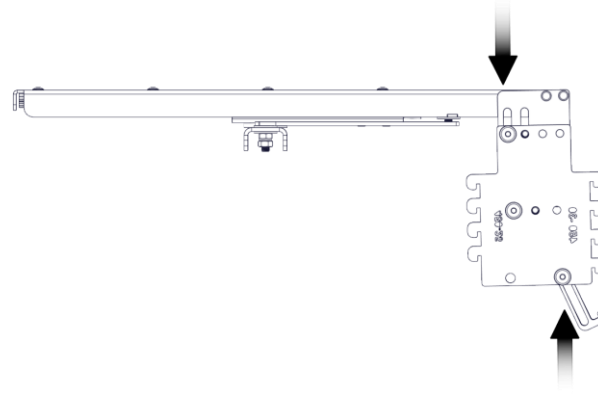
Art.No. 0155-08350-0 + top brackets



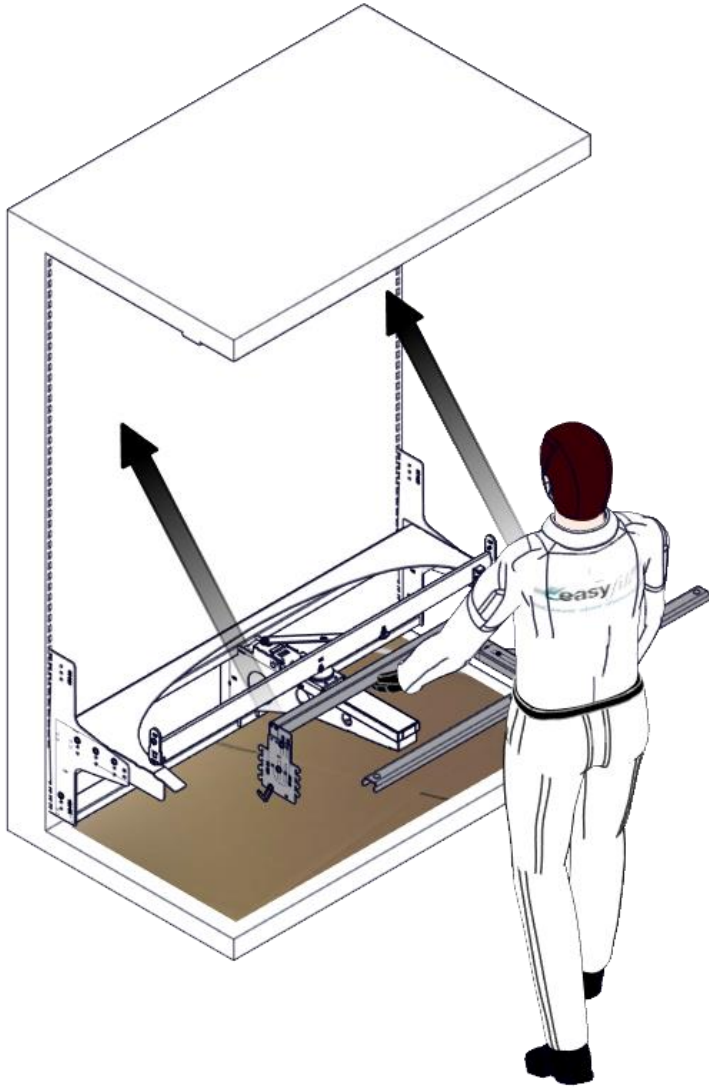
Left



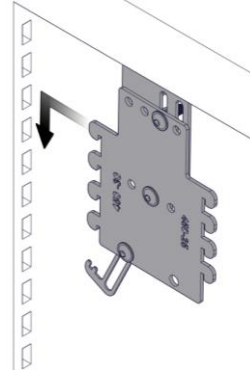
Right



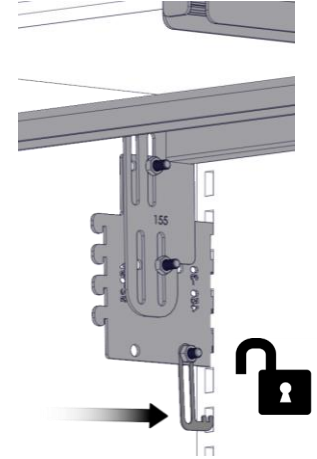
2



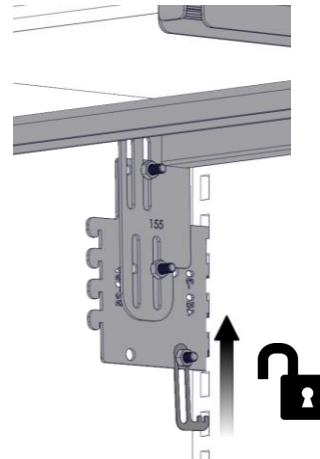
2a



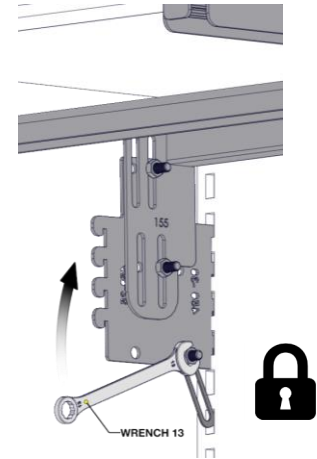
2b



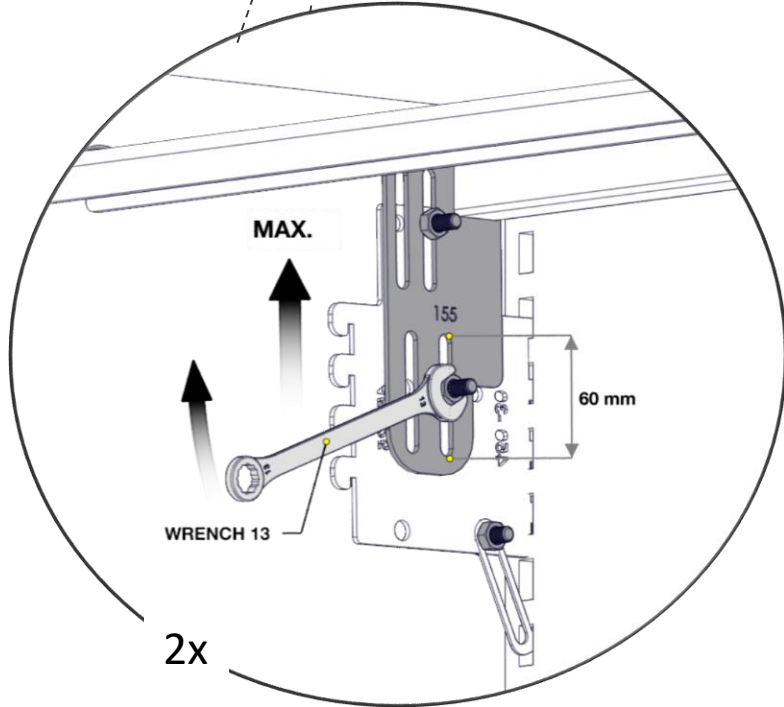
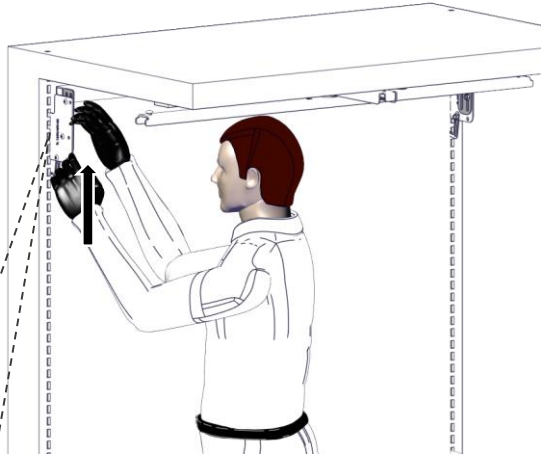
2c



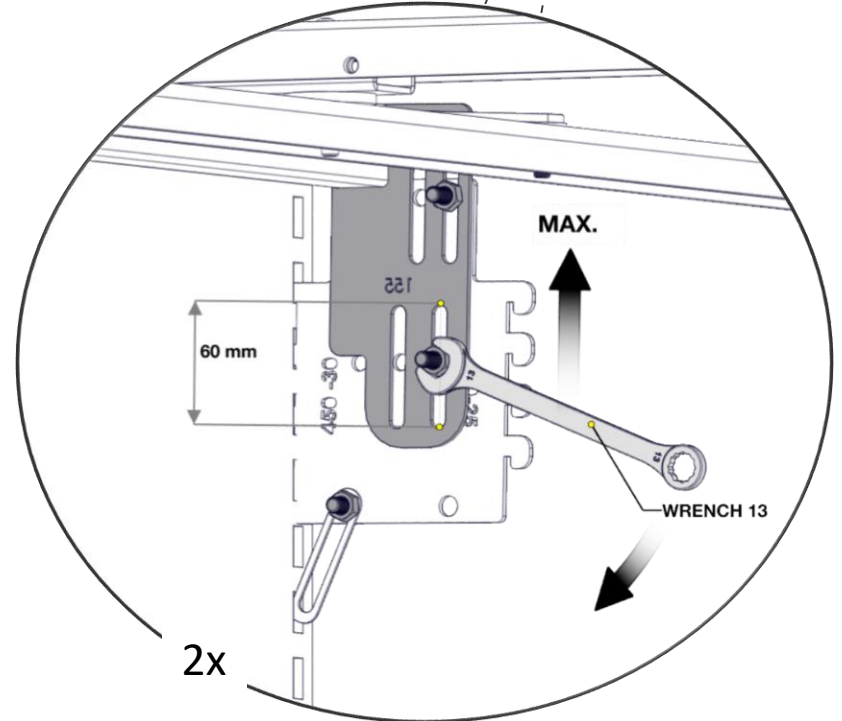
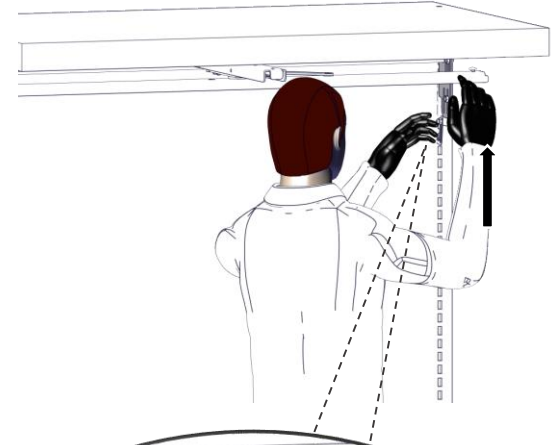
2d



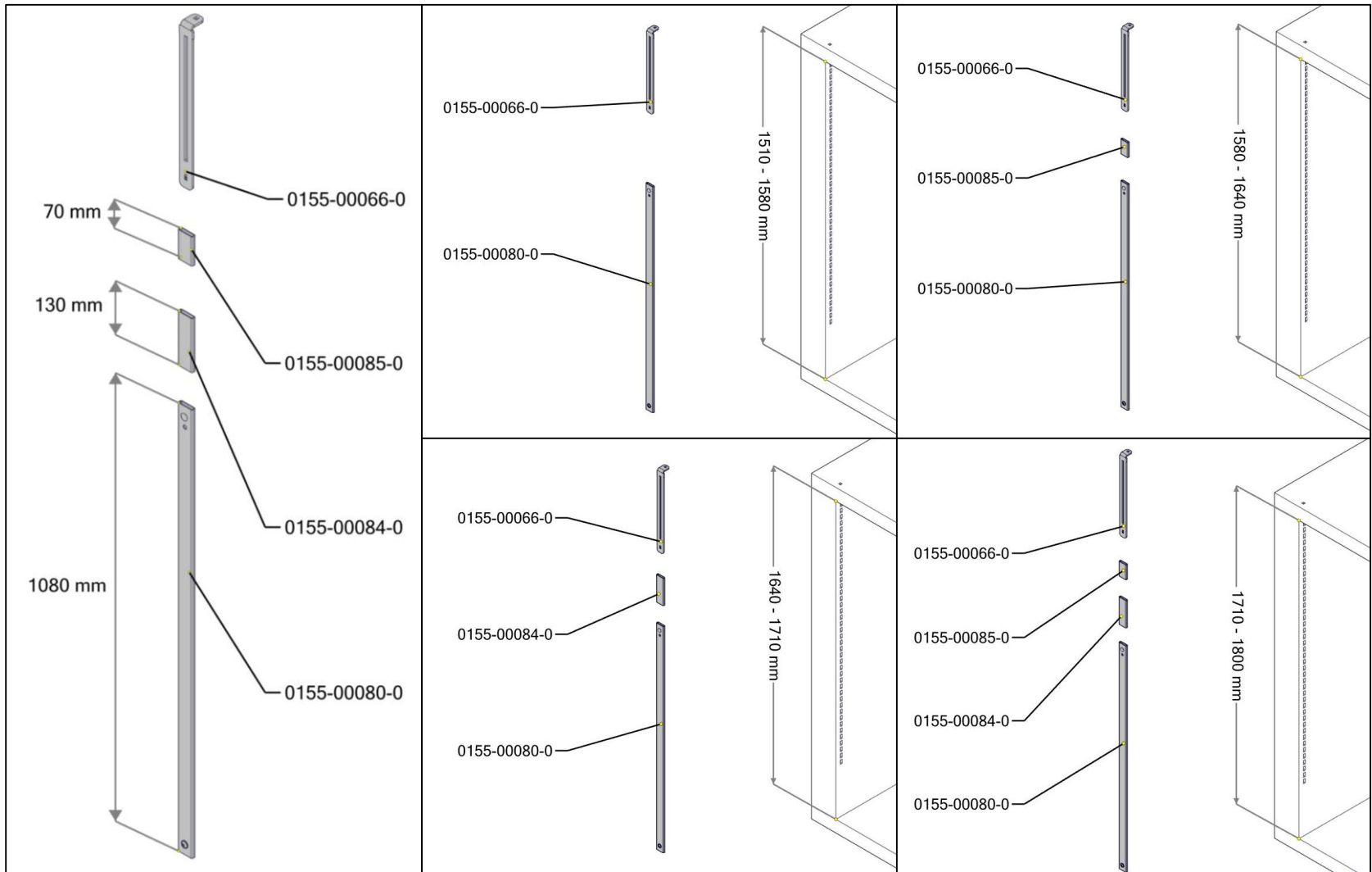
3



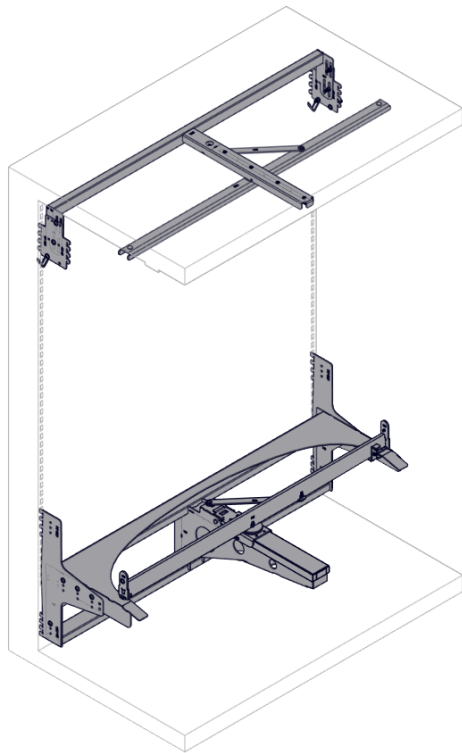
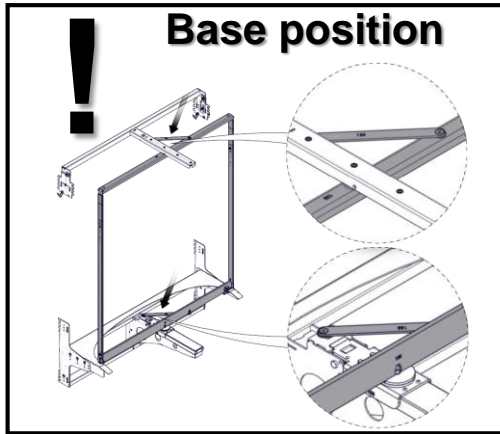
4



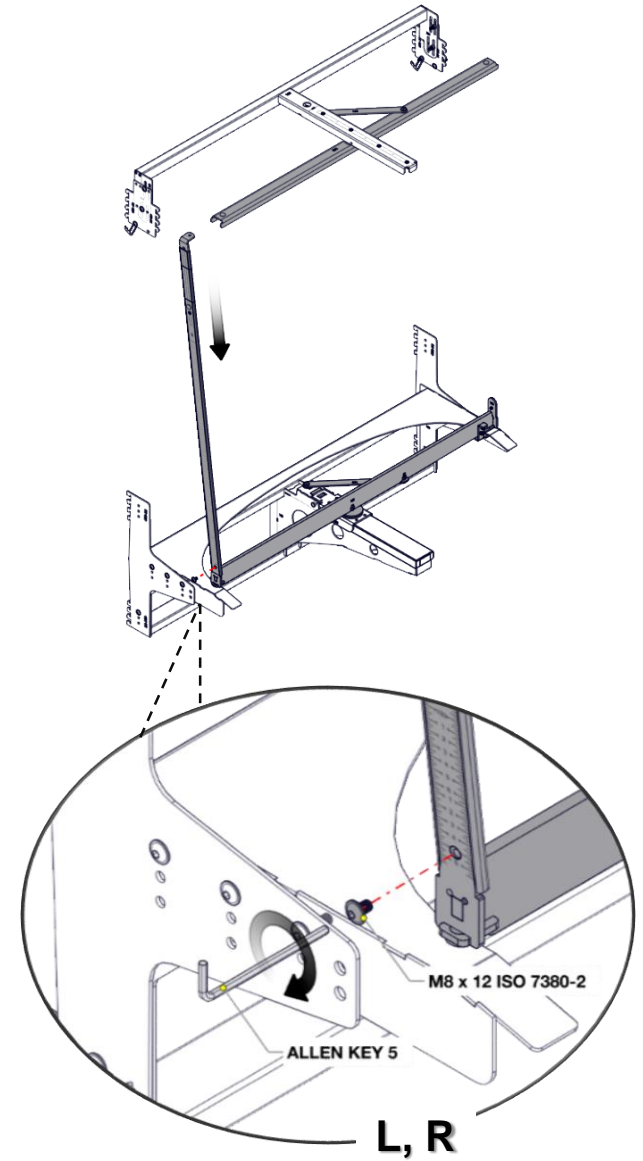
Adjustable frame – 0155-08500-0



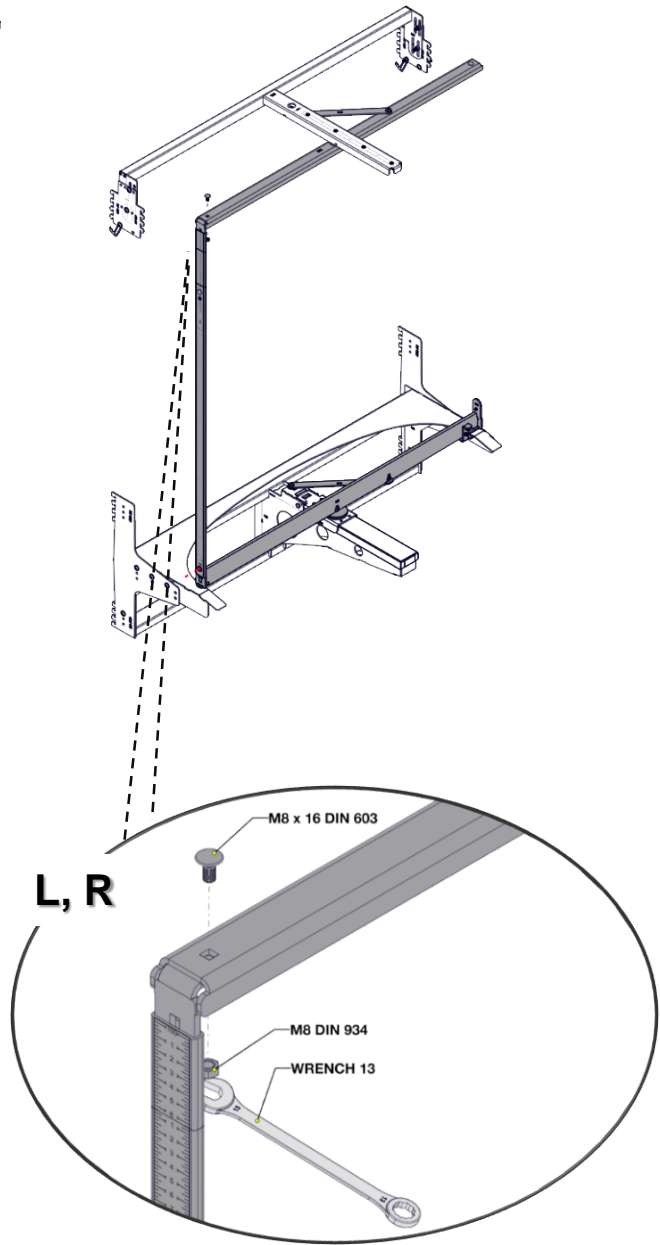
5



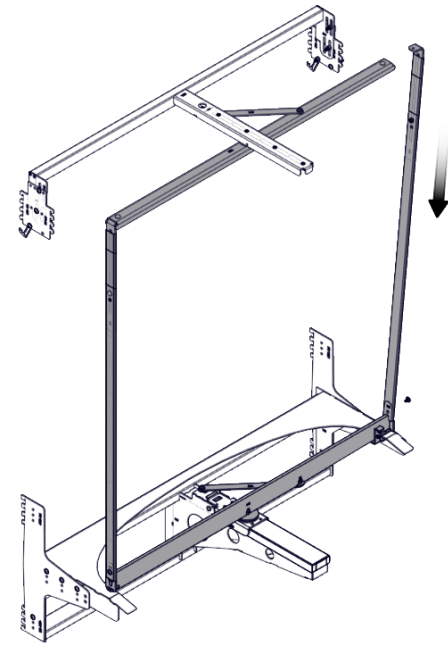
6



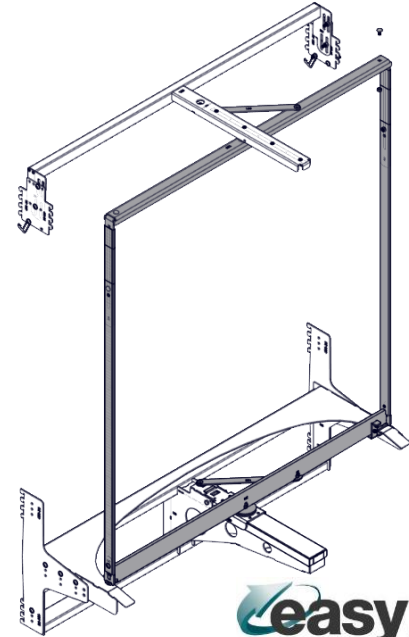
7



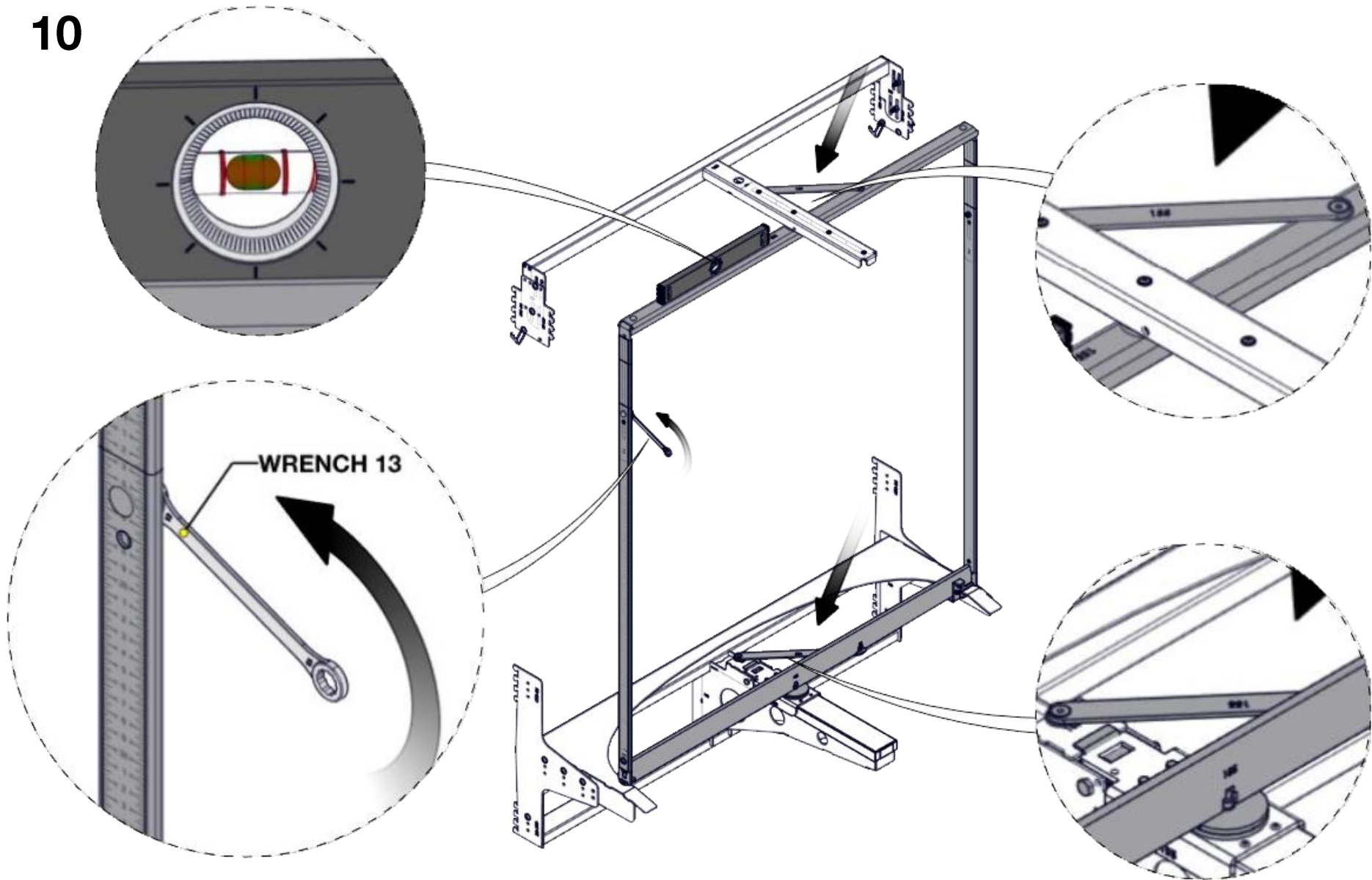
8



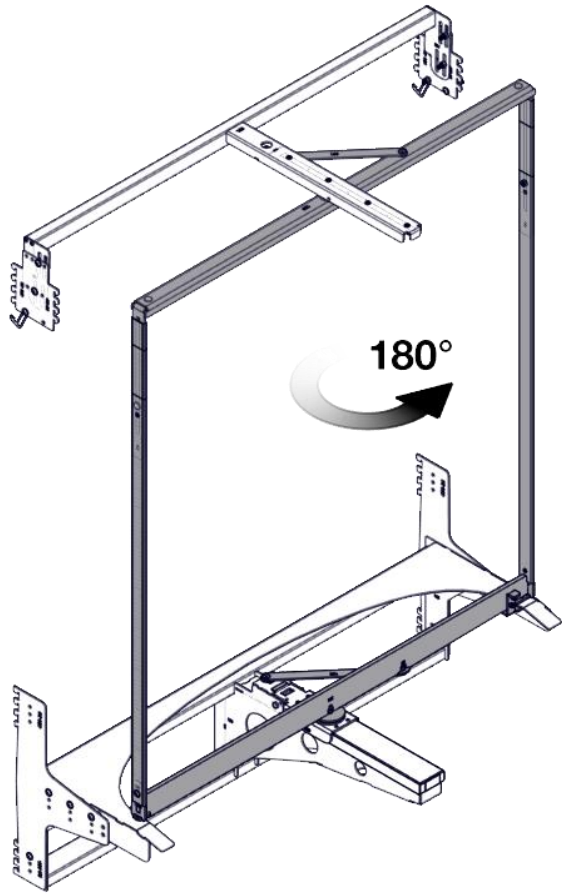
9



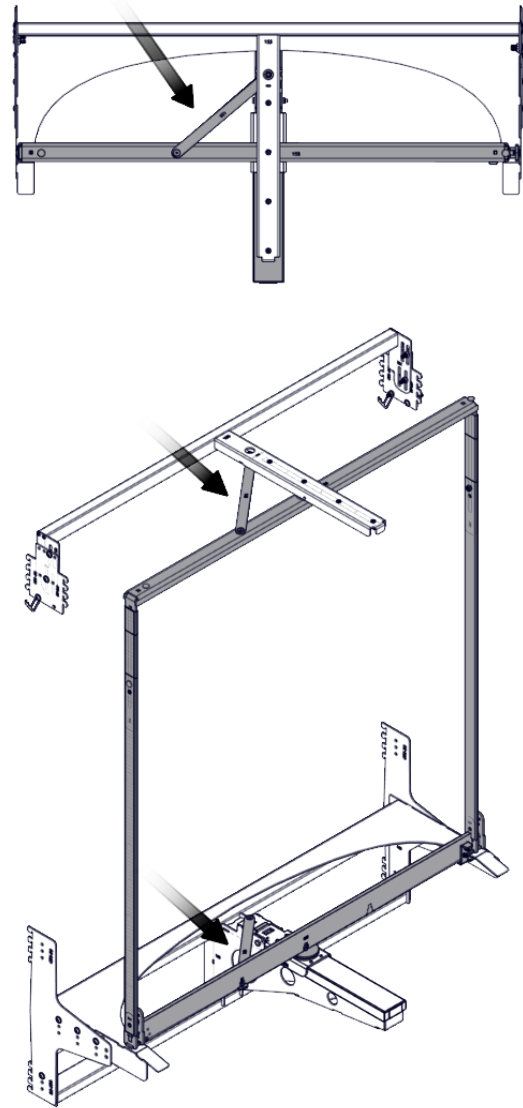
10

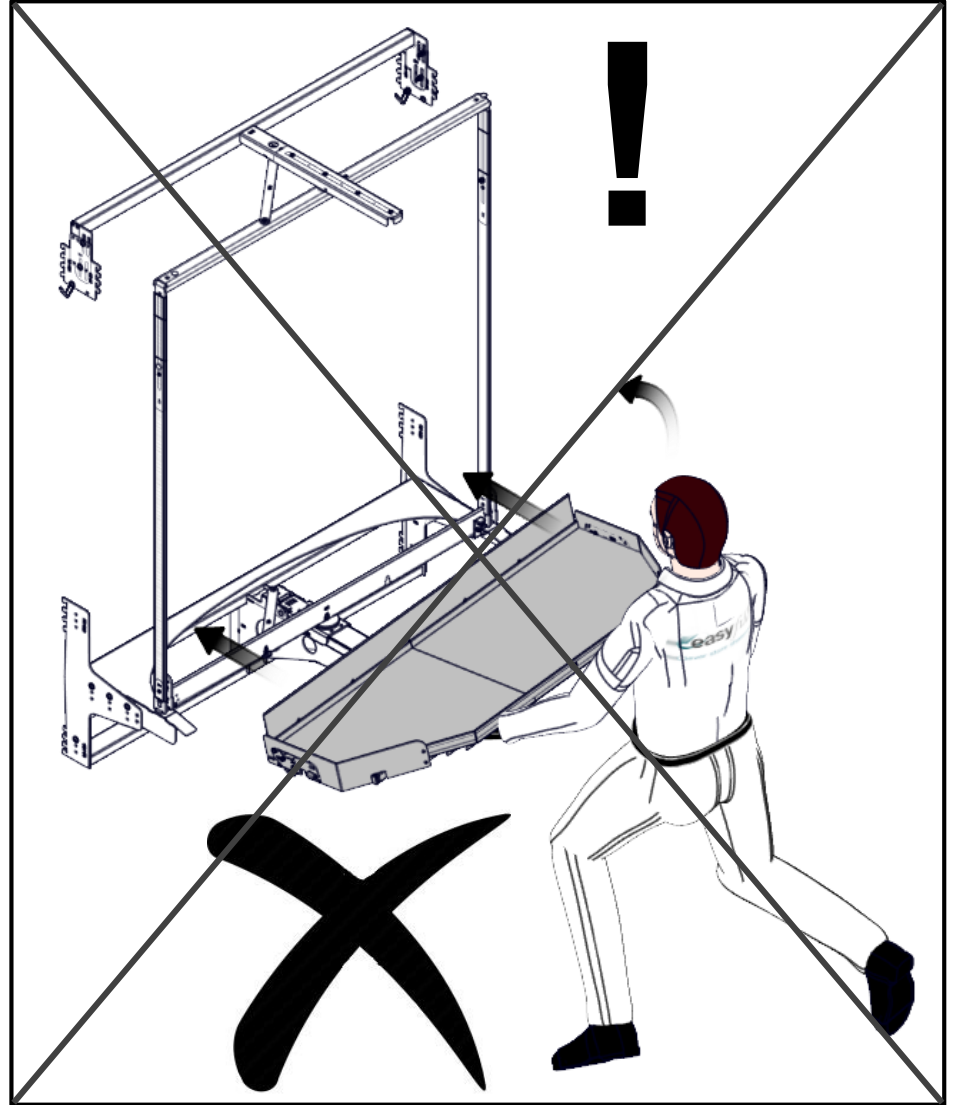
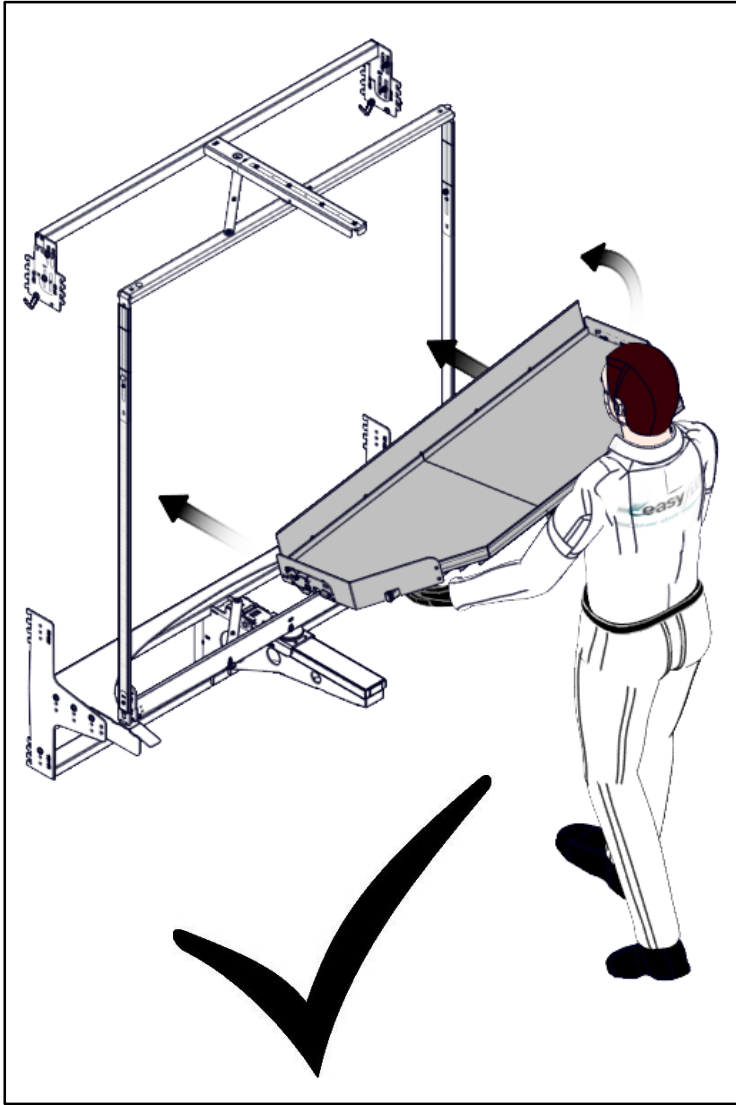


11

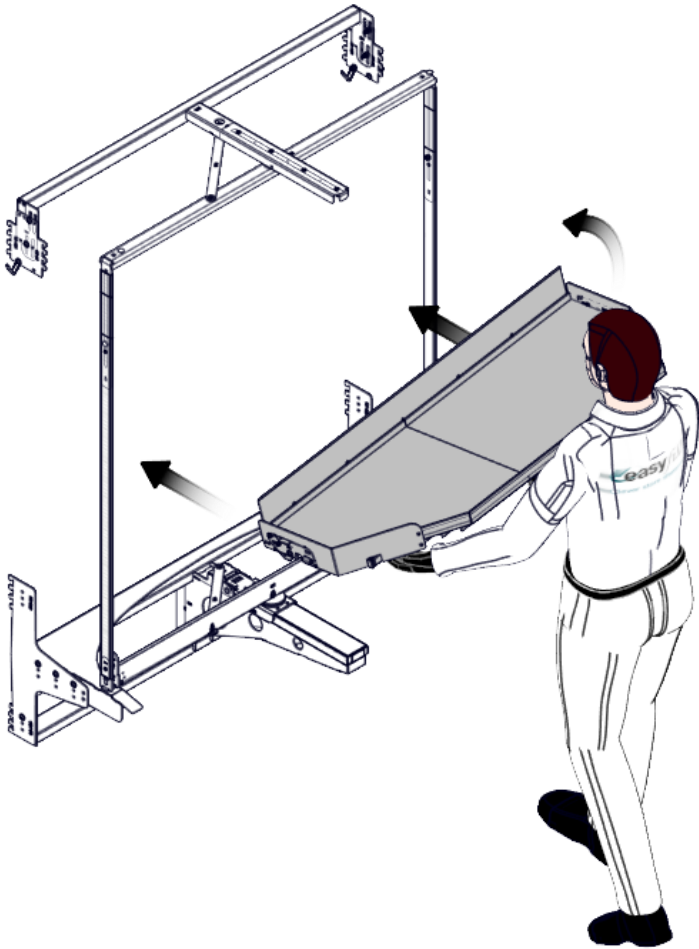


12

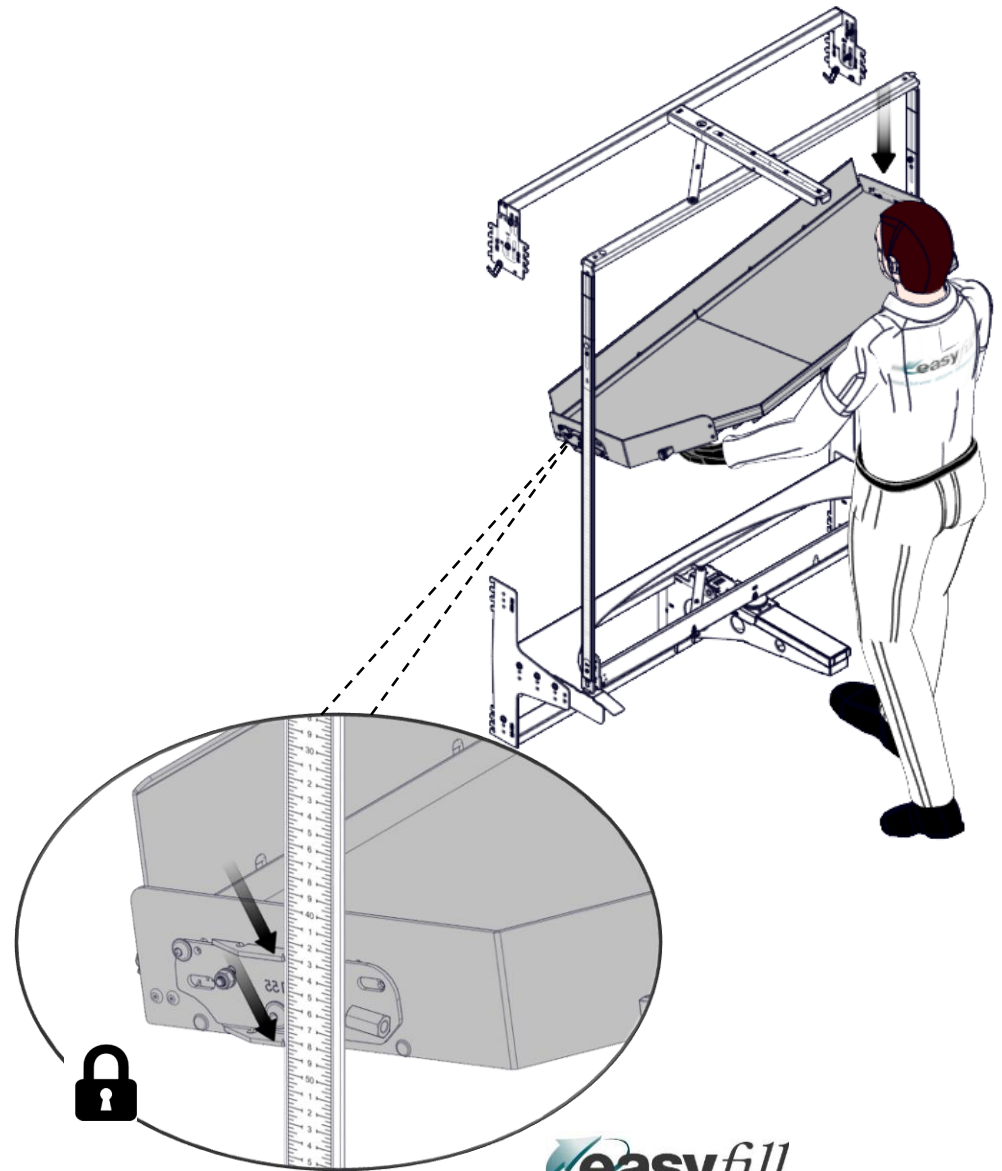


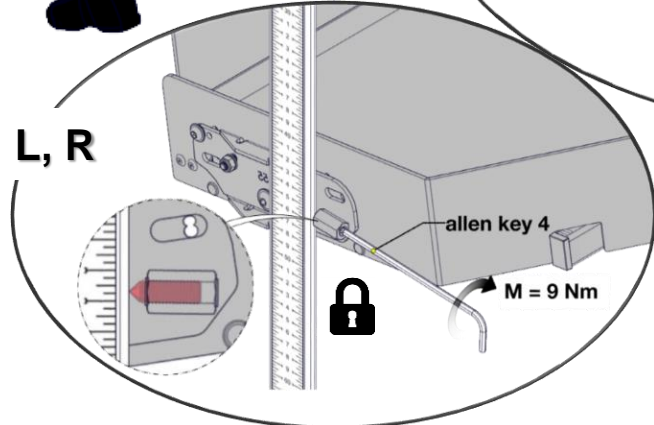
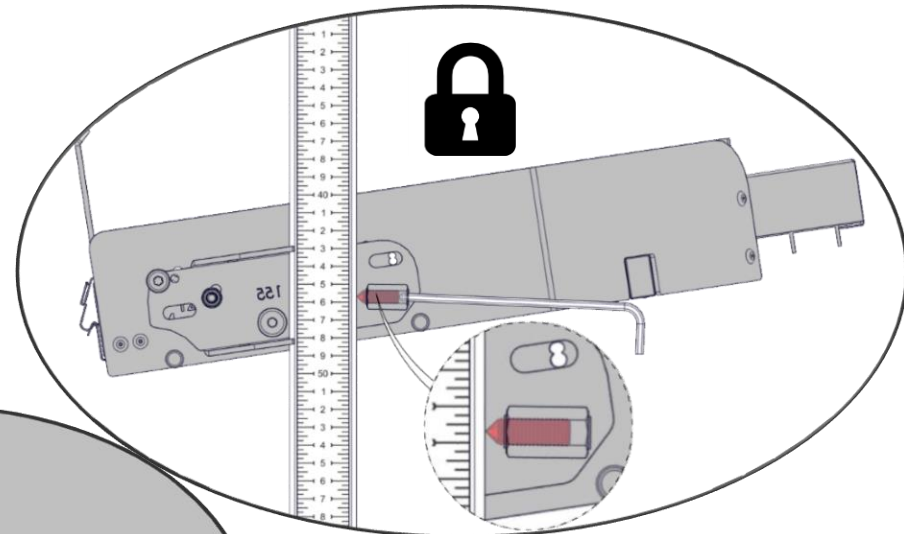
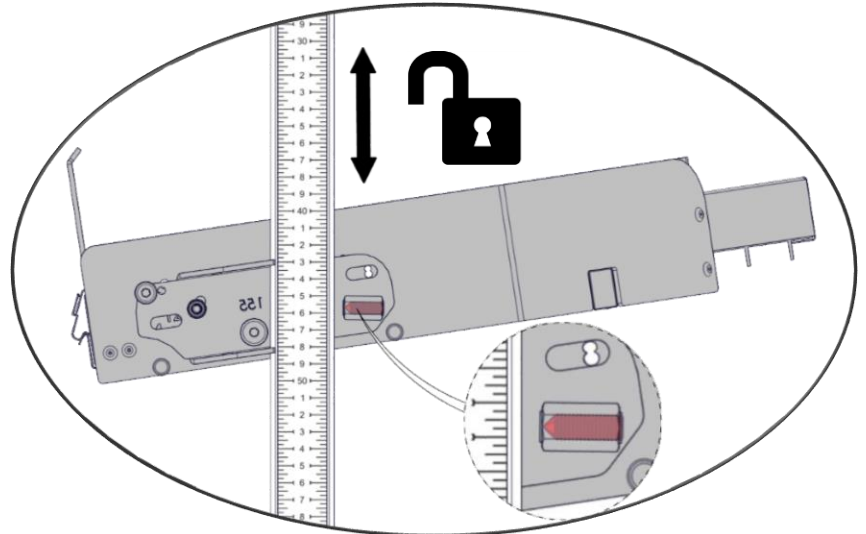
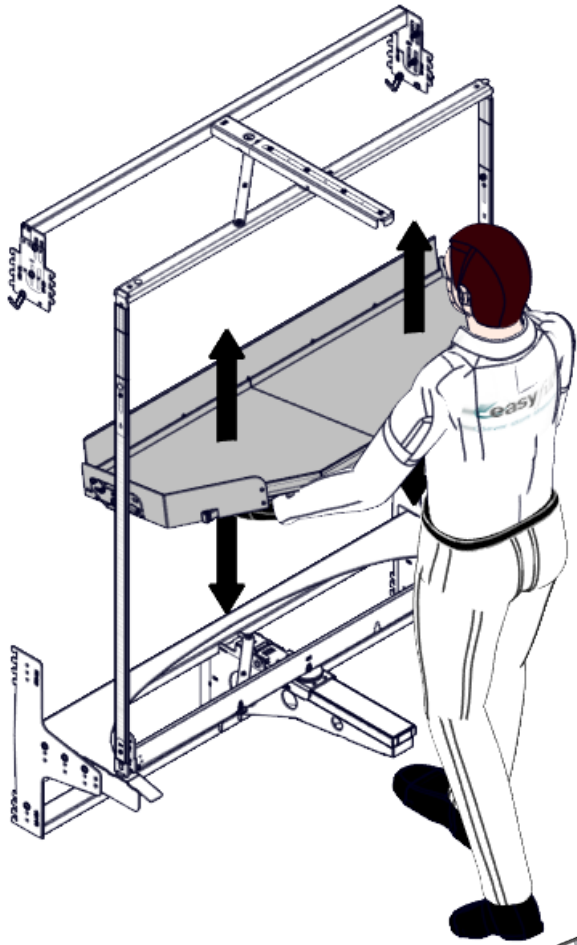


13

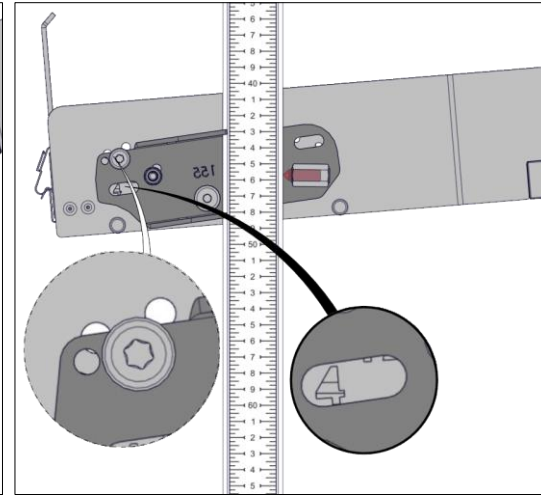
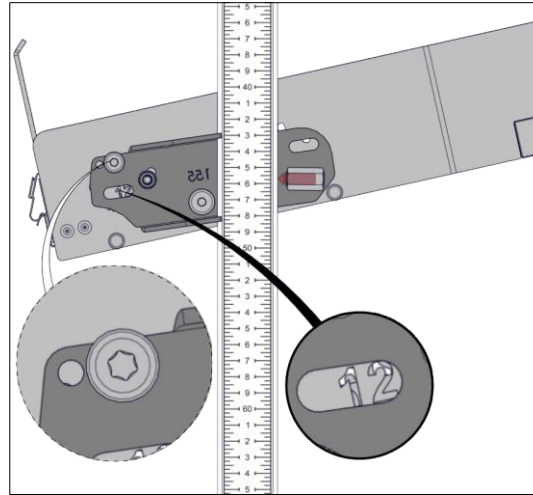
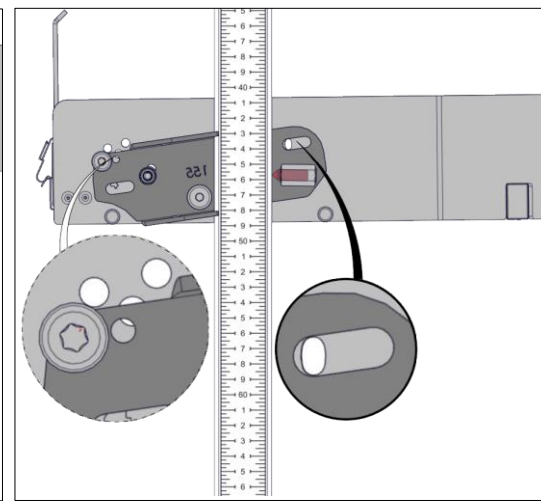
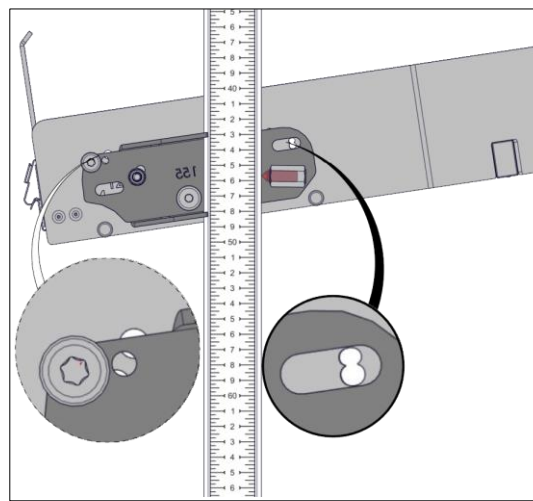
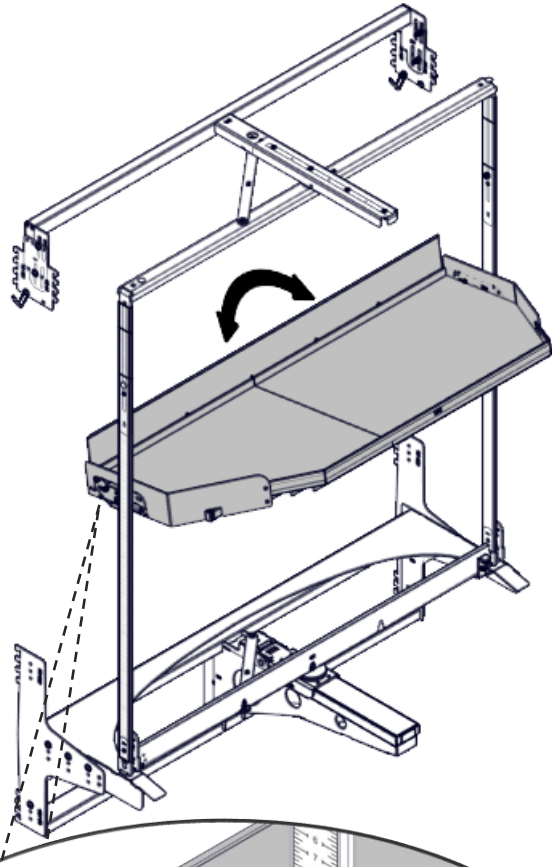


14

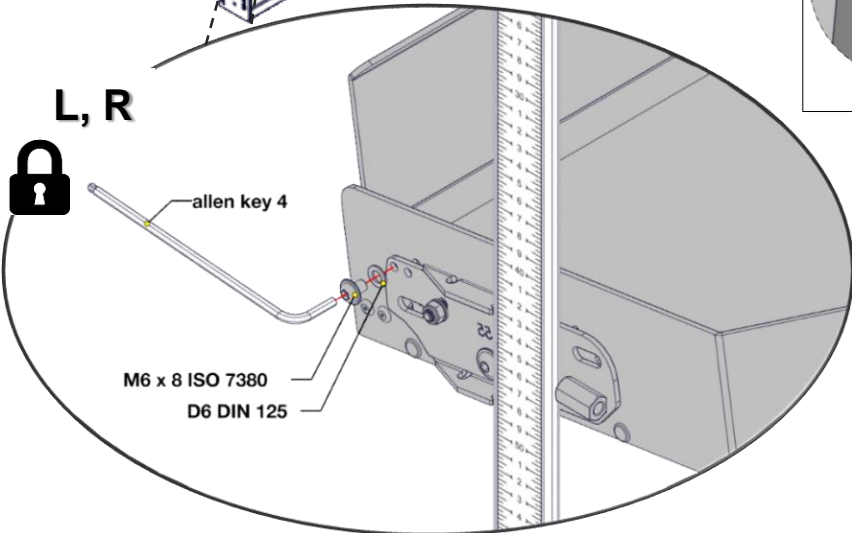


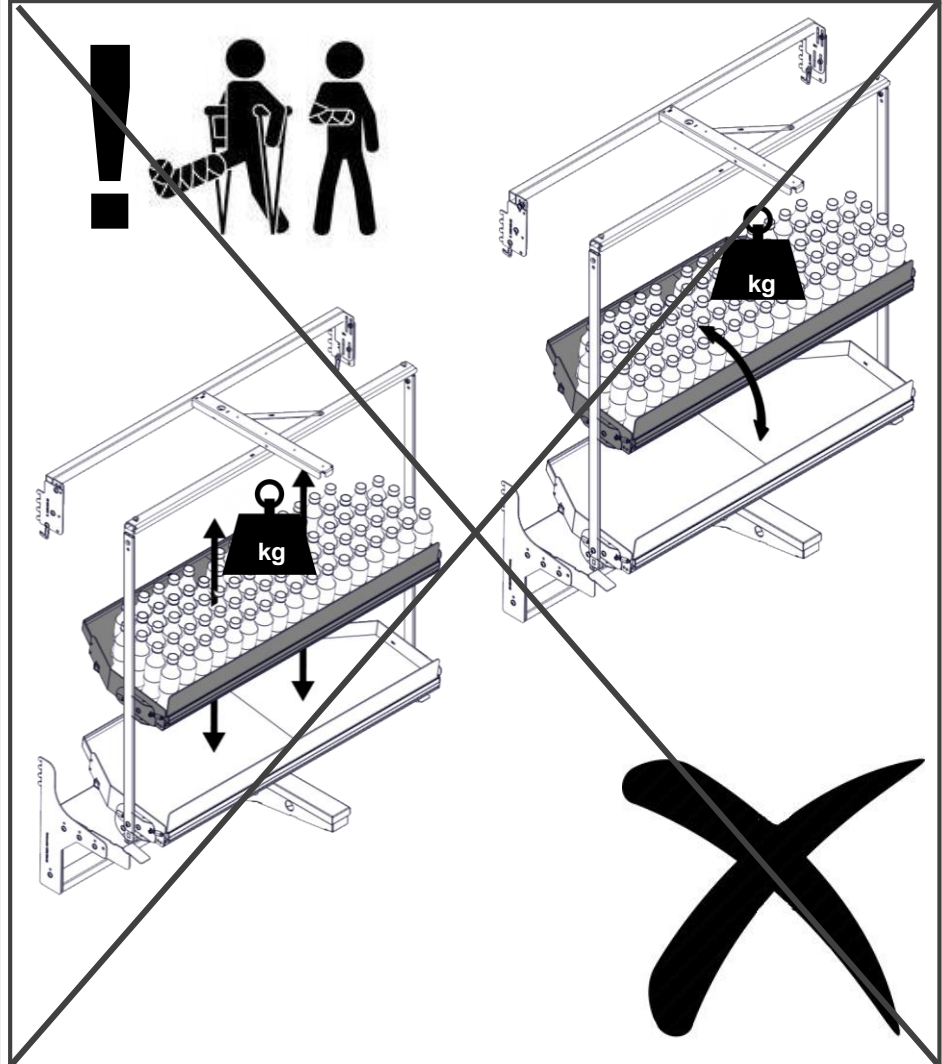
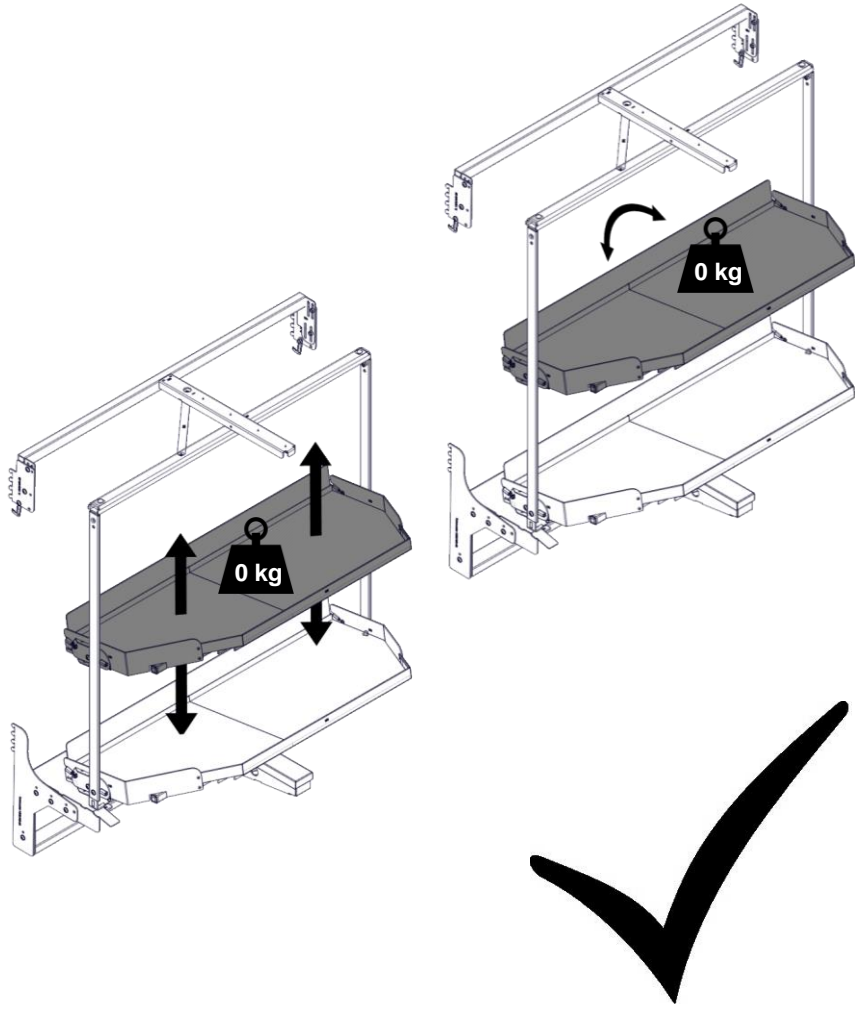


16

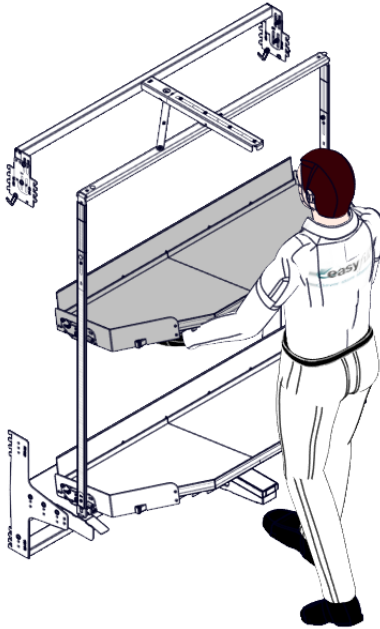


L, R

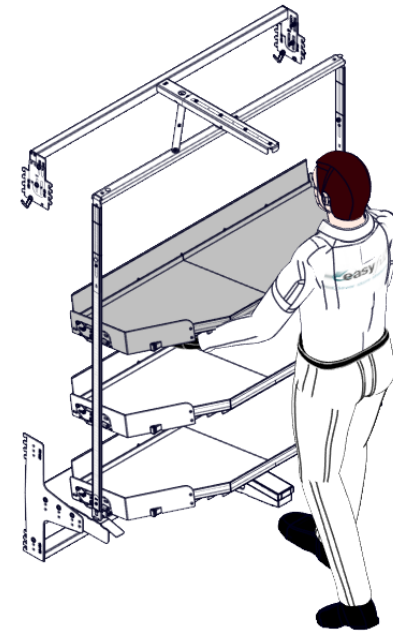




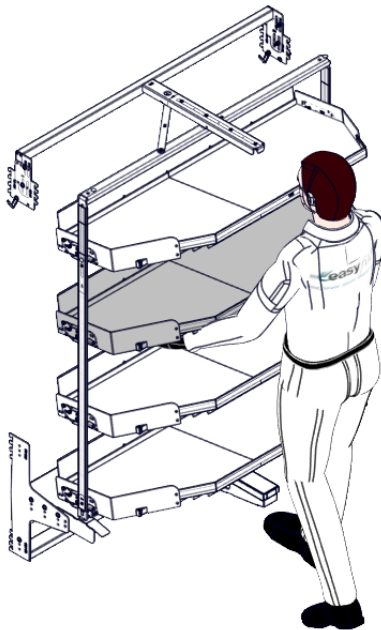
18



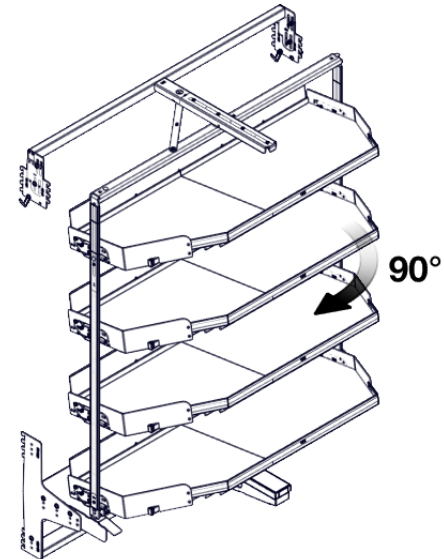
19



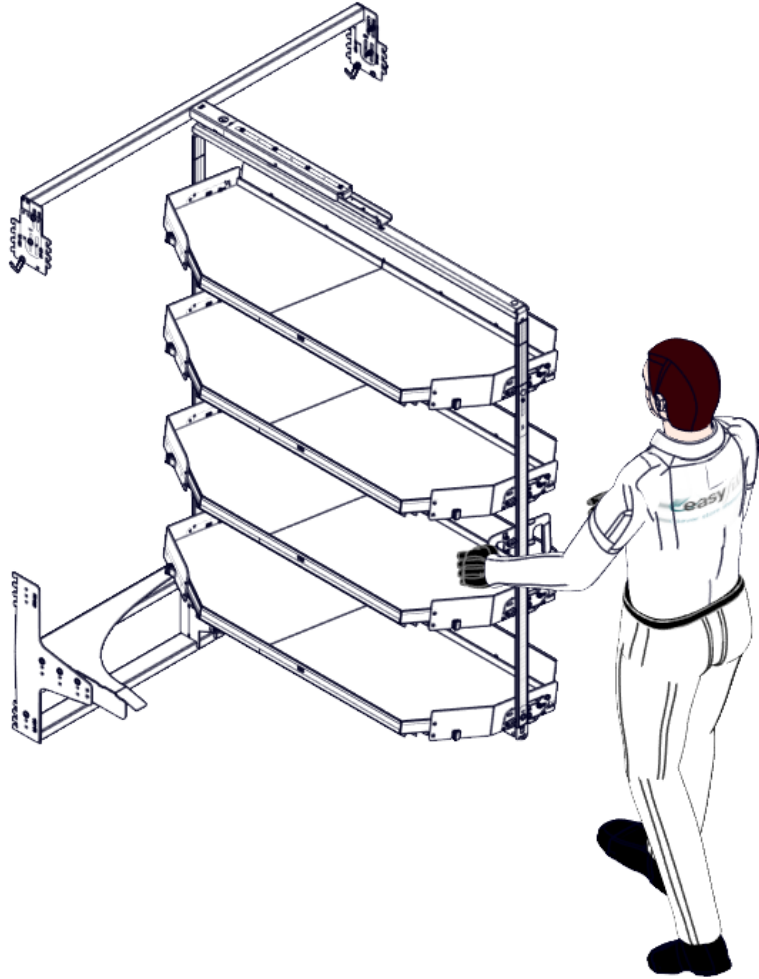
20



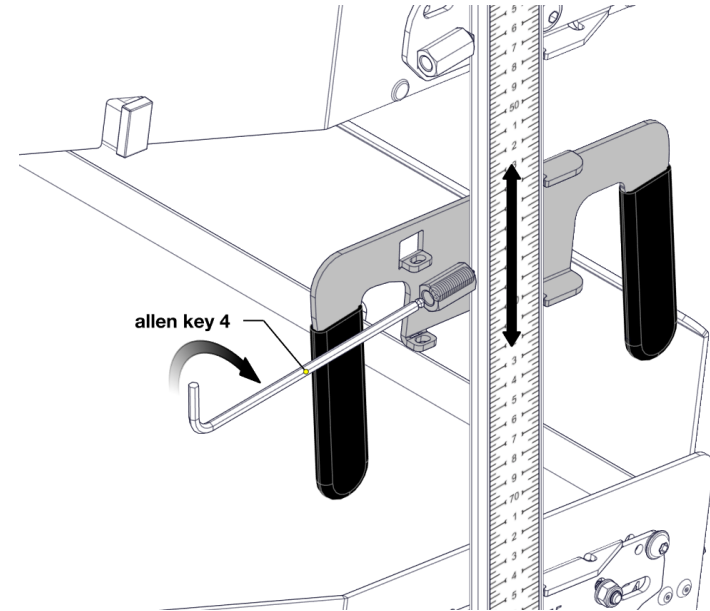
21



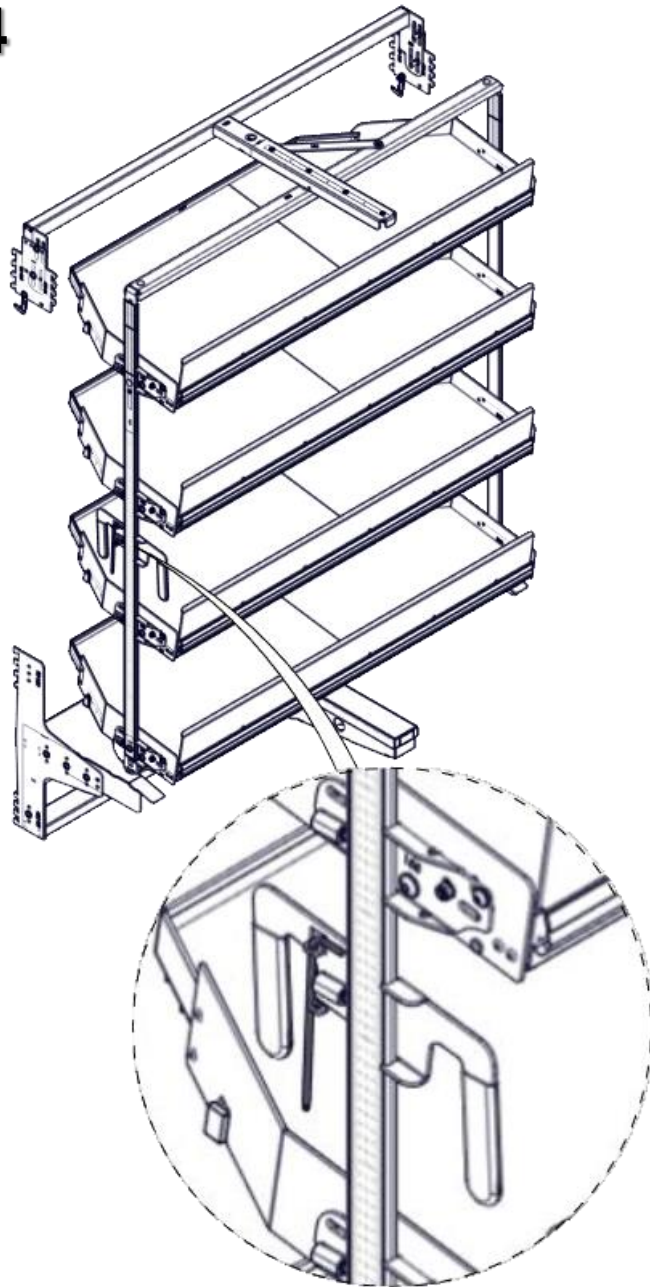
22



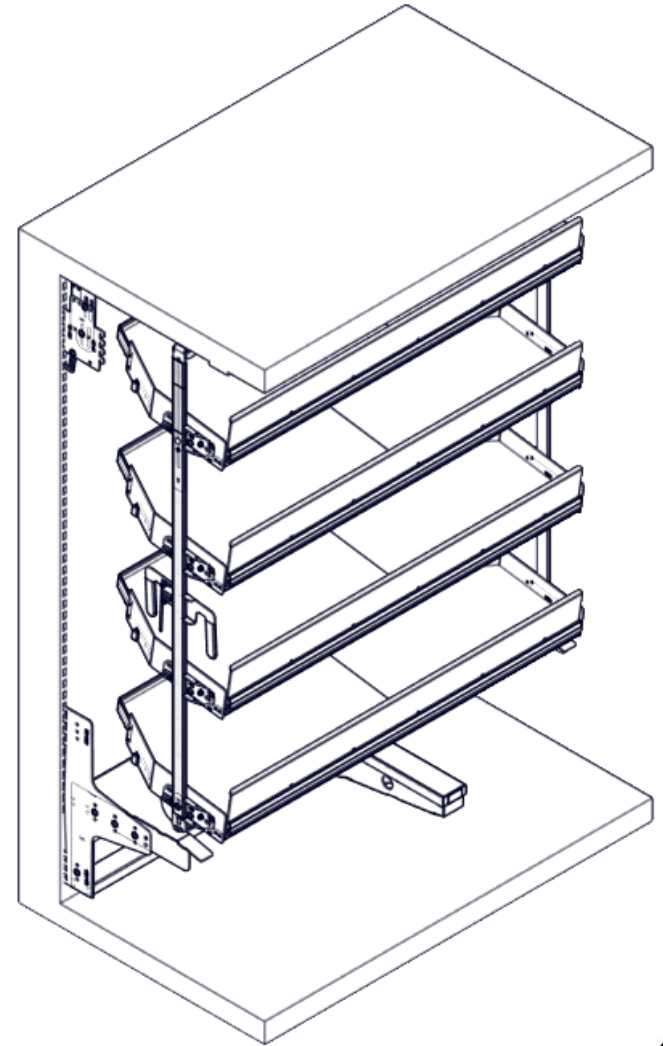
23



24



25

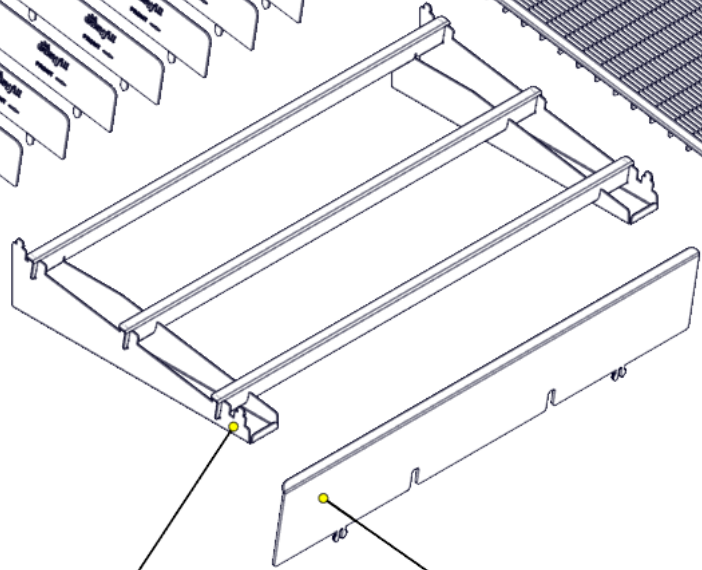
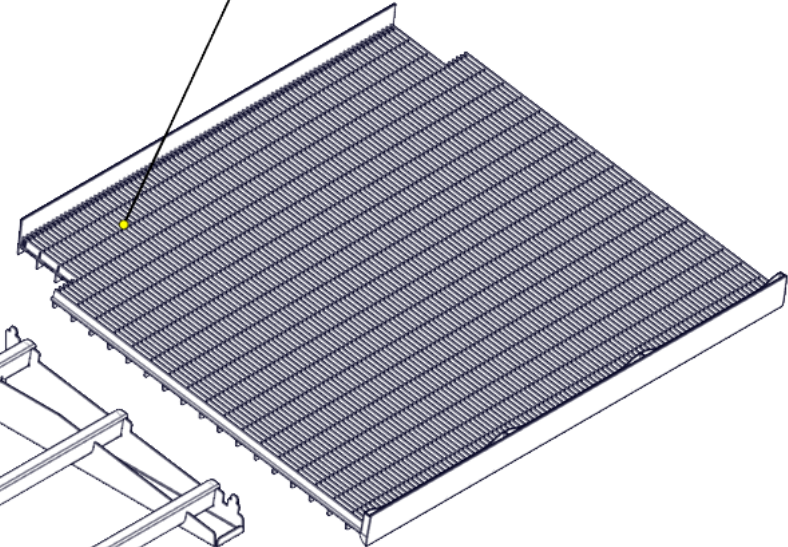
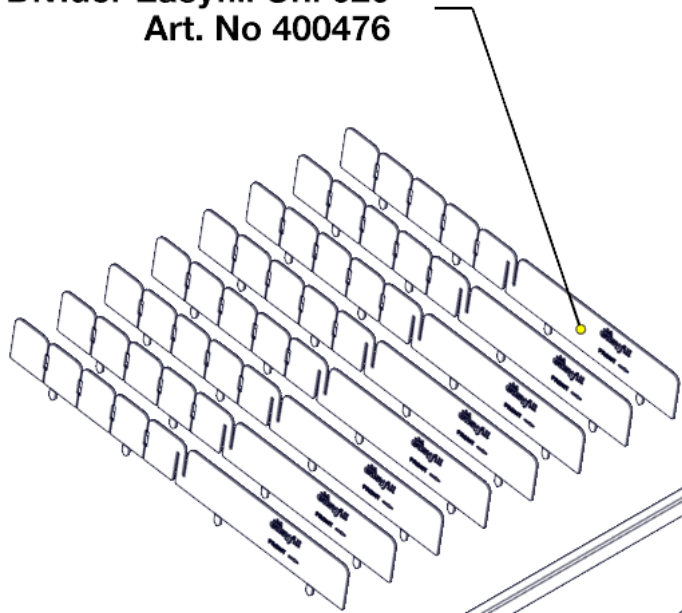


EXTRA SET Art.No. 100516

Art. No. 0155-44000-0 (2x)

Divider Easyfill Uni 620
Art. No 400476

Plastic Part of Bottom Shelf
Art. No 0155-440001-0

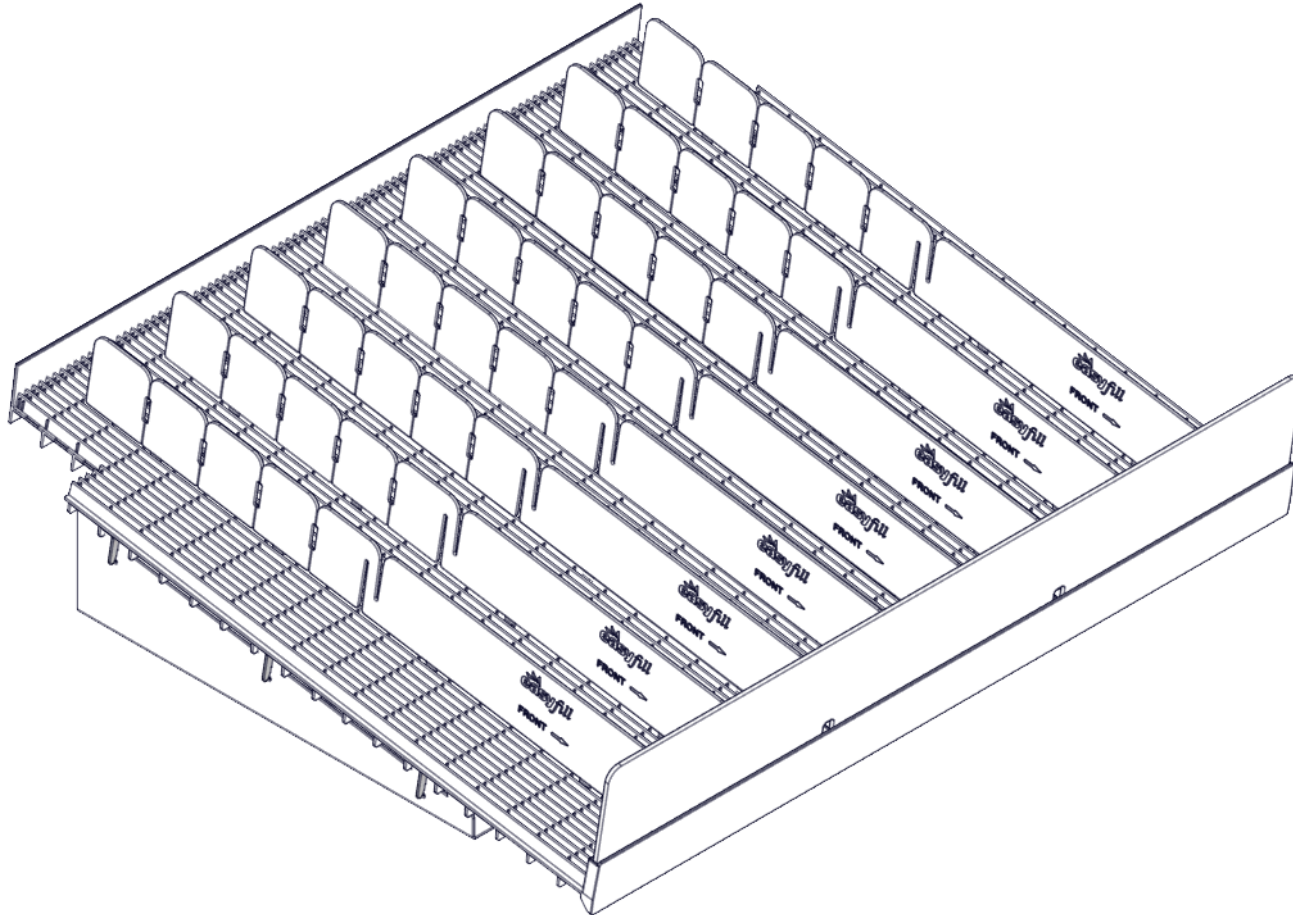


Bottom Shelf
Art. No 0155-44100-0

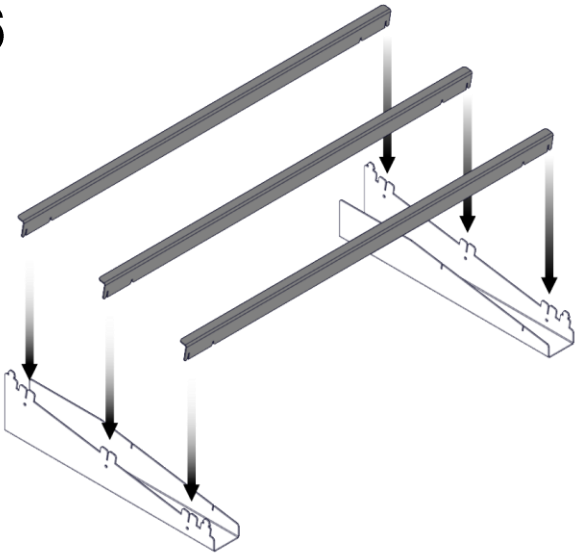
Frontstopper UNI 620 Heigh H 113 mm
Art. No 0620-00113

Installation of bottom shelf

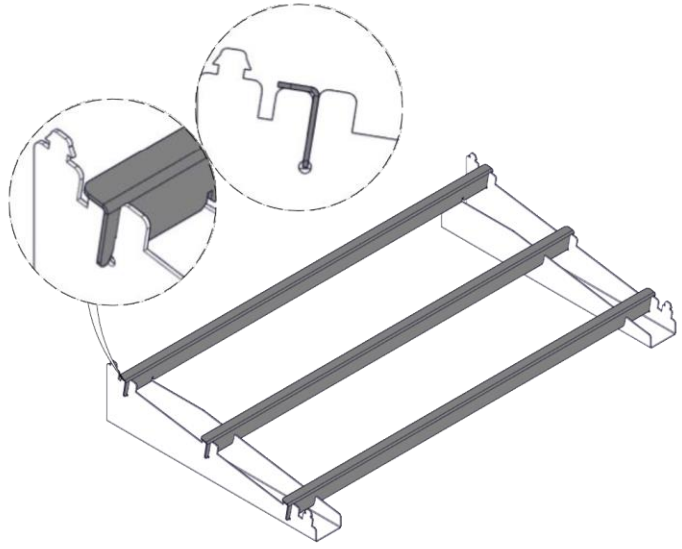
Art.No. 0155-44000-0 (2x)



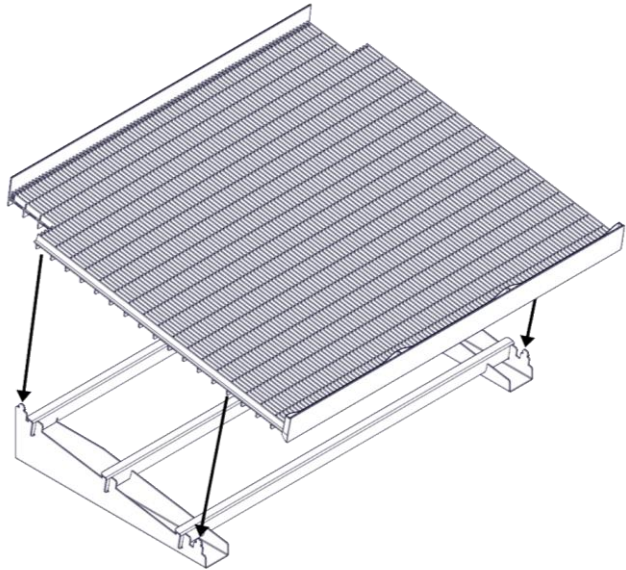
26



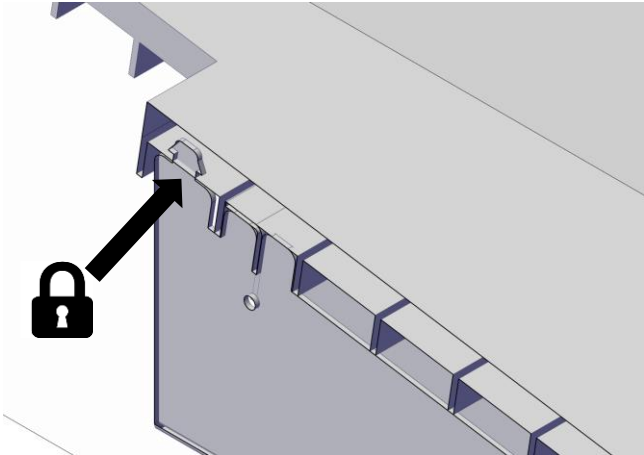
27



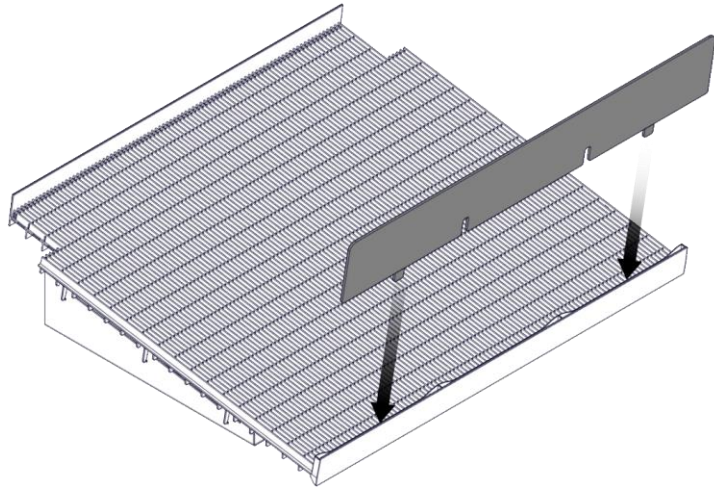
28



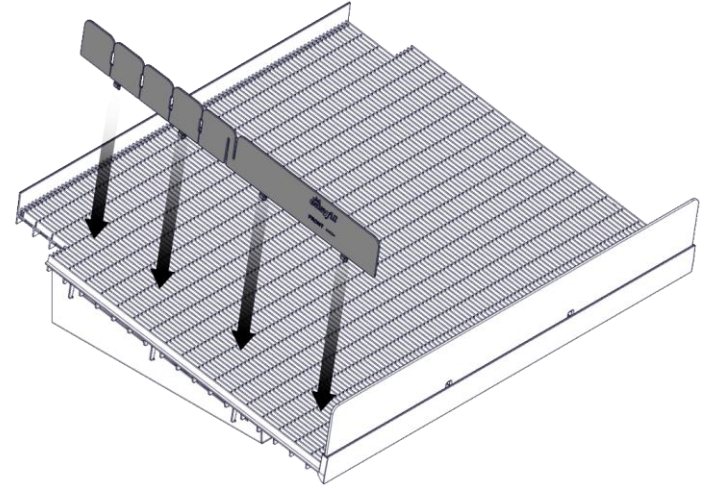
29



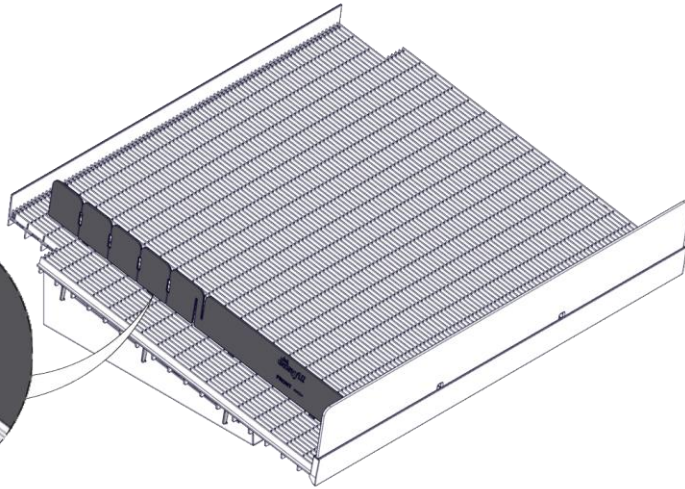
30



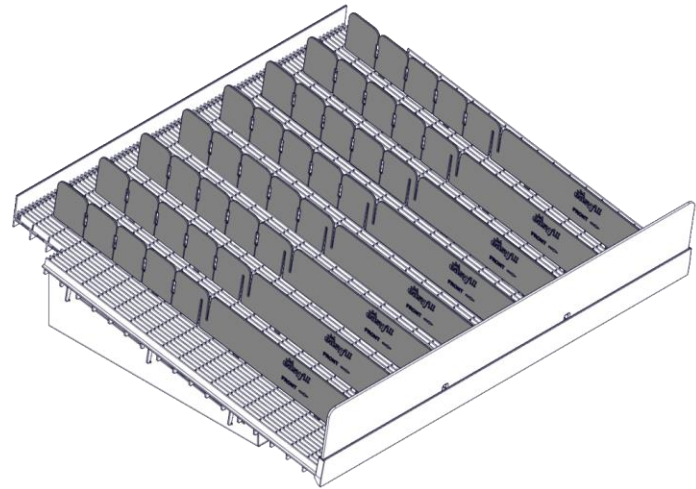
31



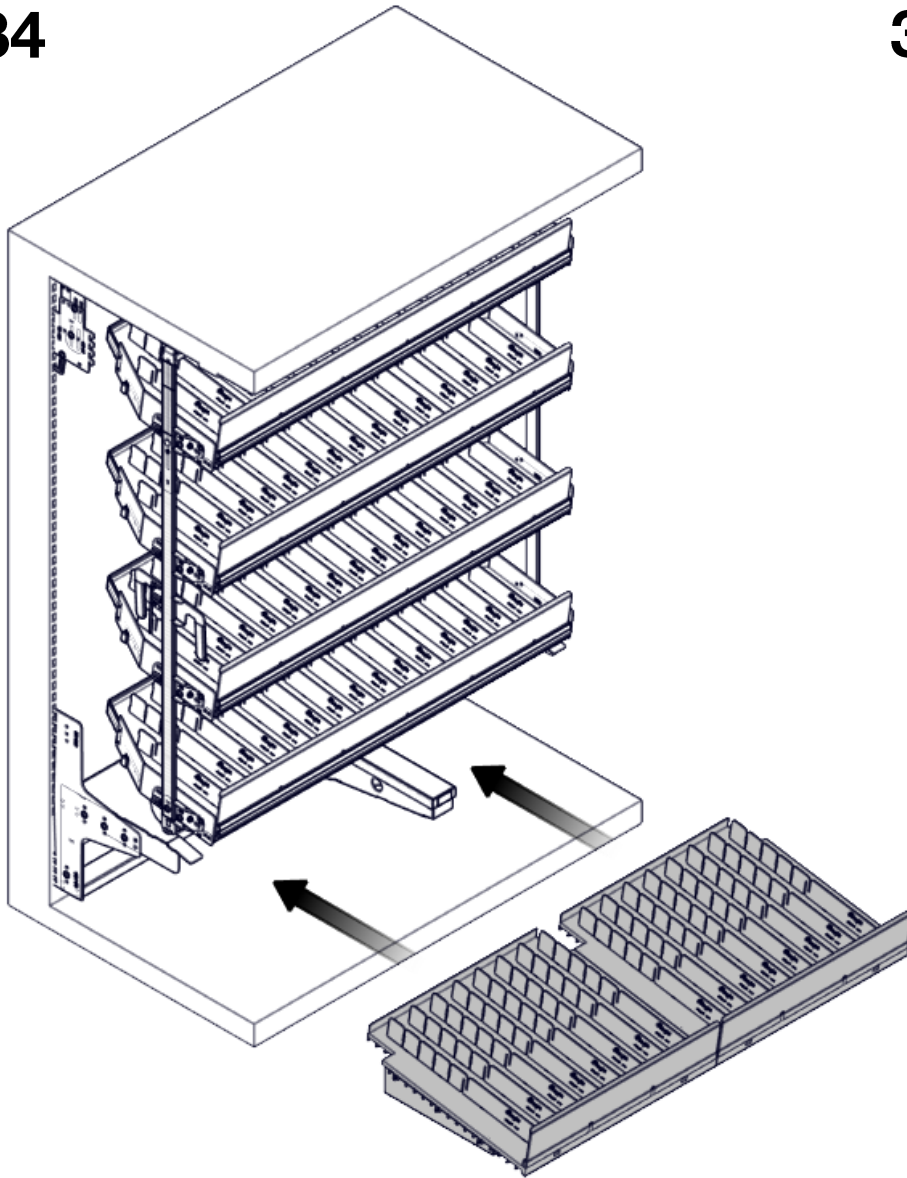
32



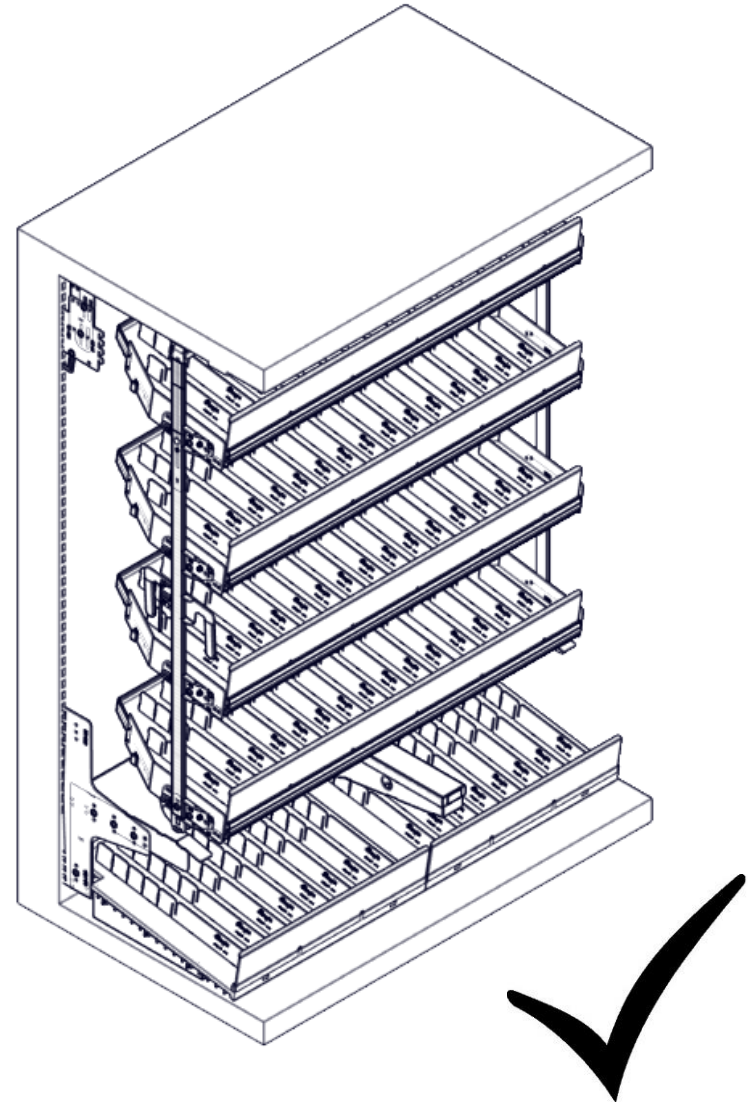
33



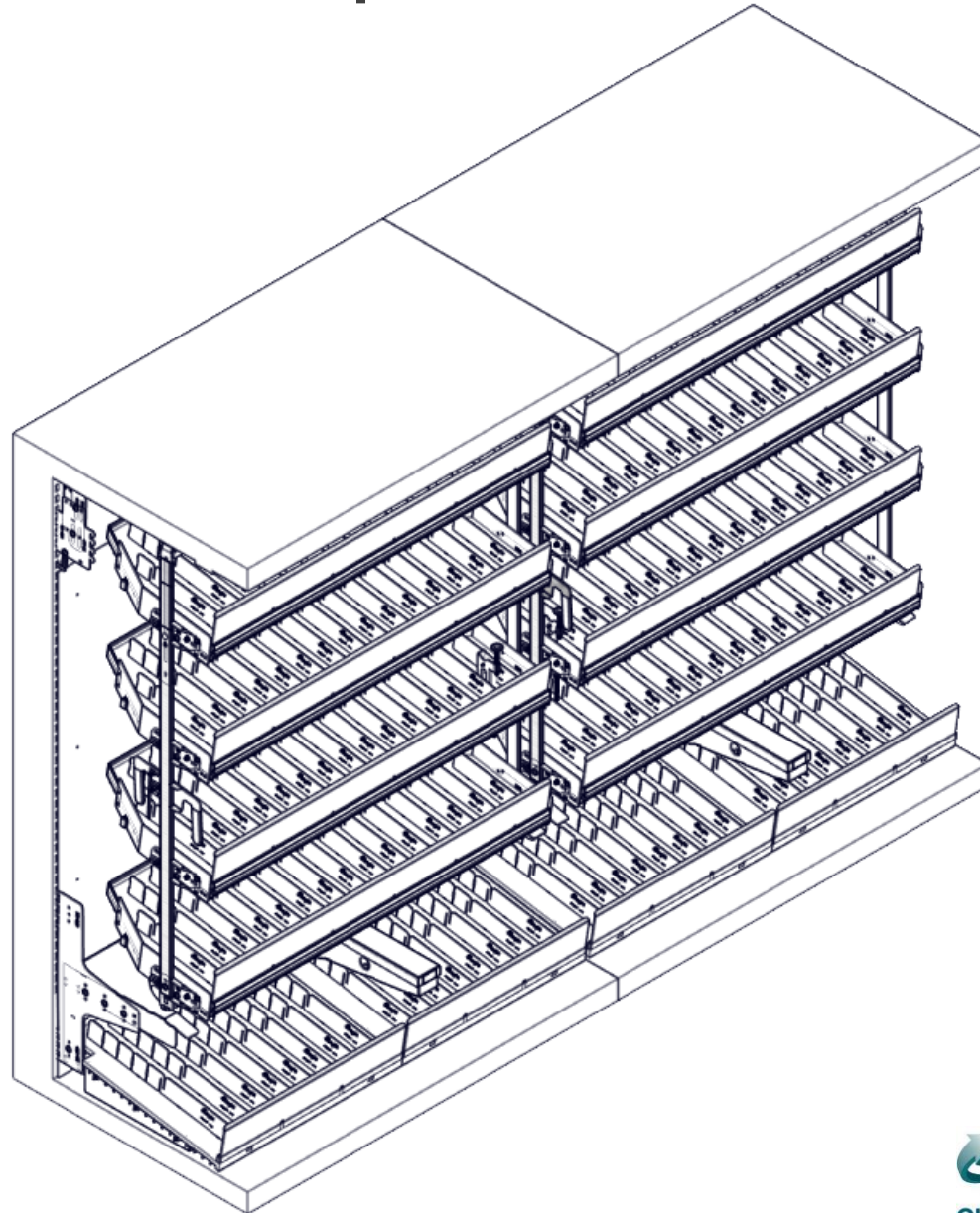
34

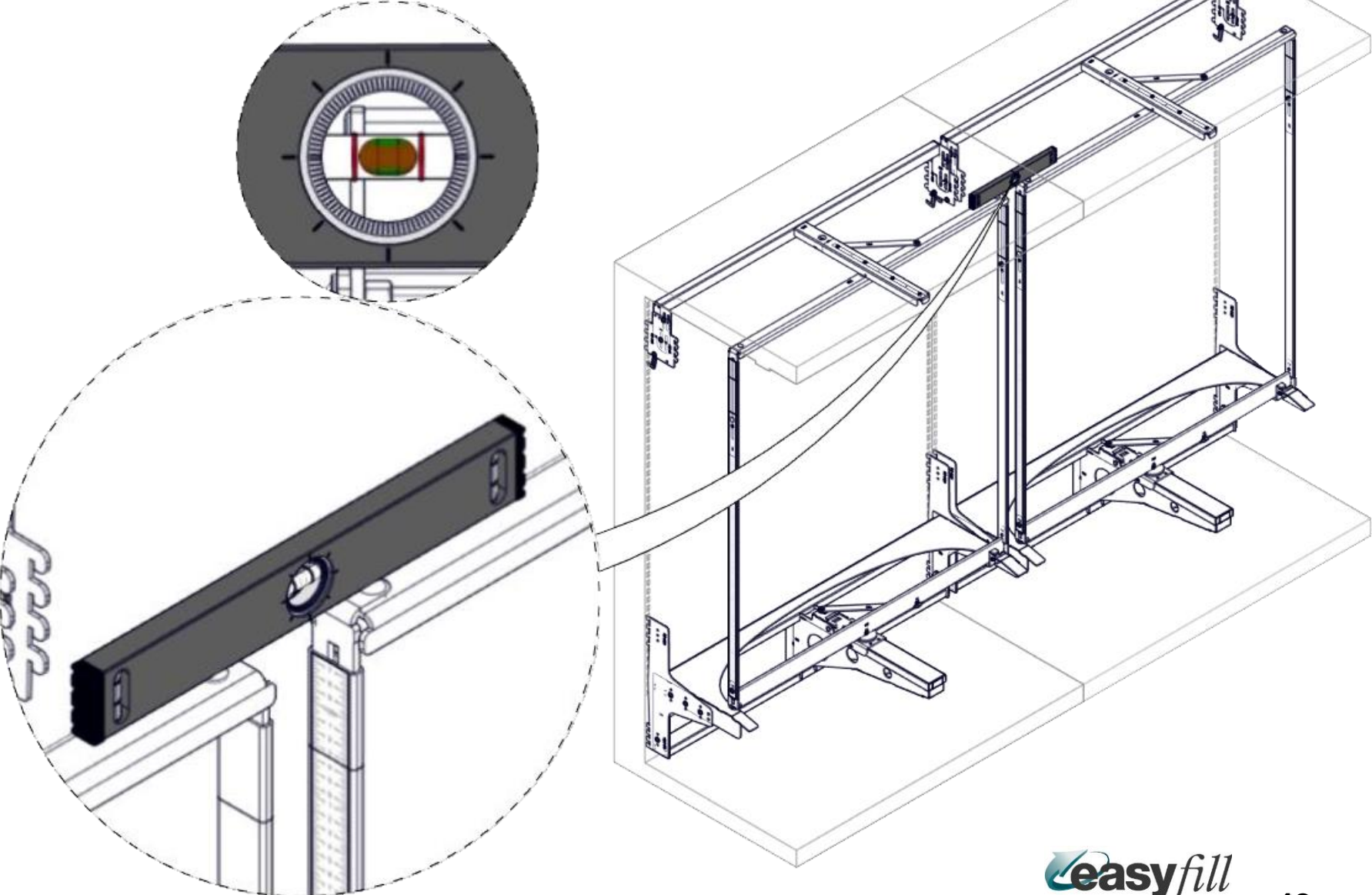


35

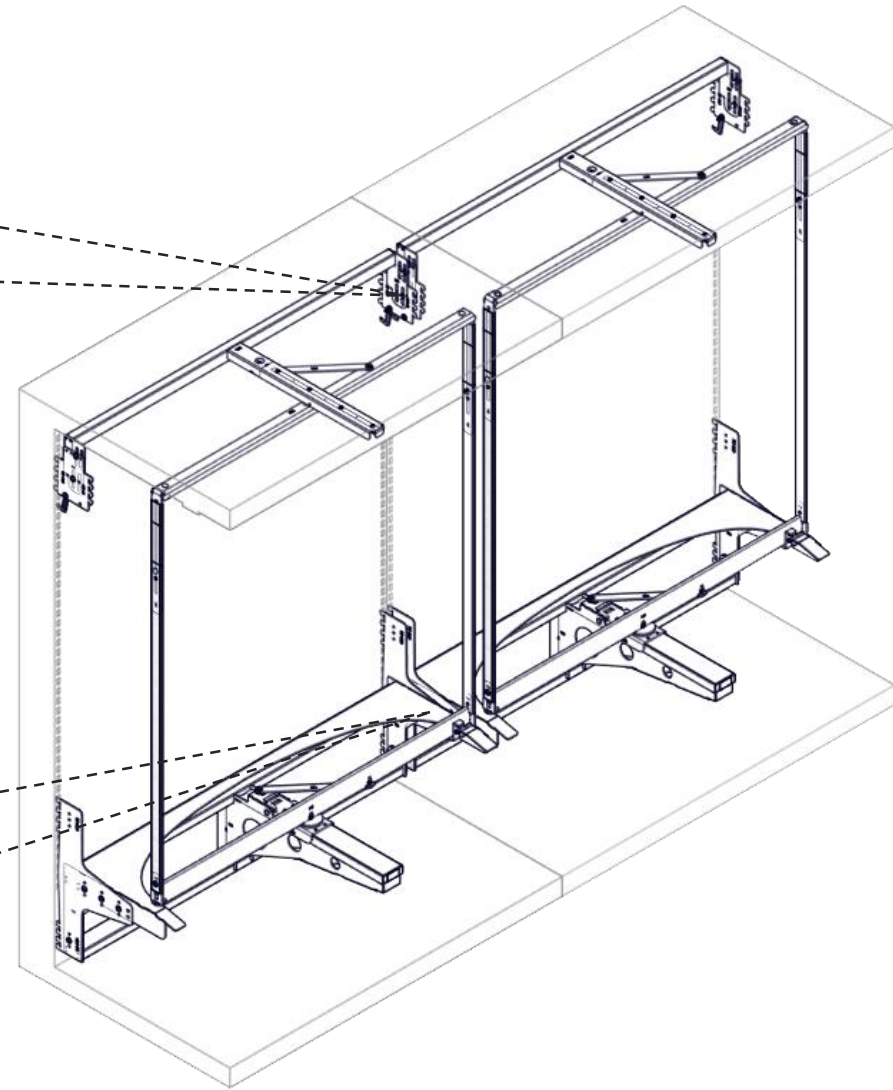
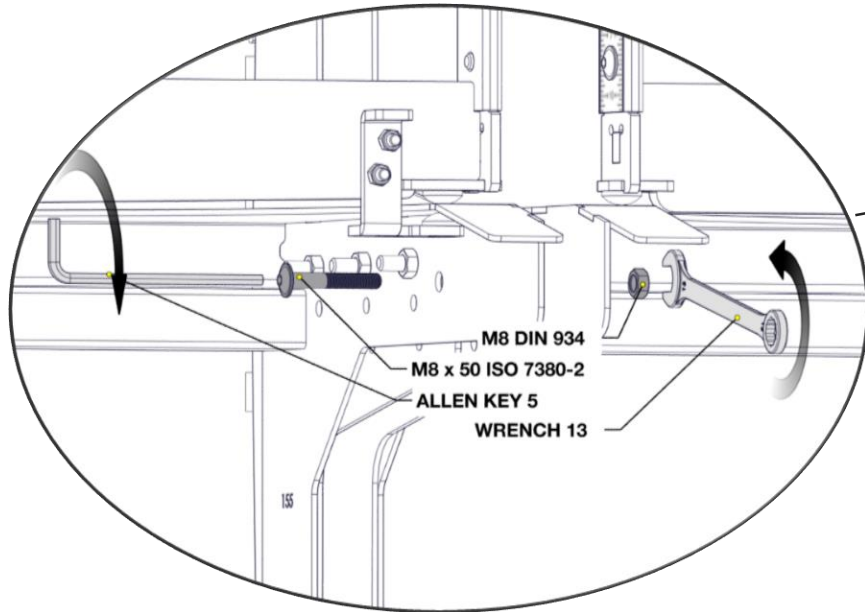
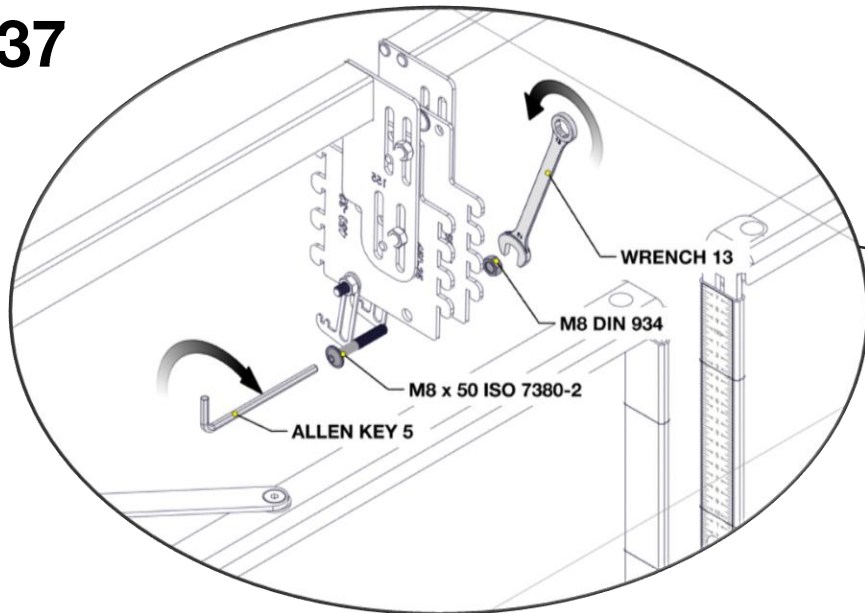


Multiple installation





37



Thanks!
www.easyfill.se

ALL PICTURES SHOWN ARE FOR ILLUSTRATION PURPOSE ONLY.
ACTUAL PRODUCT MAY VARY DUE TO PRODUCT ENHANCEMENT.
ALL CHANGES ARE RESERVED BY EASYFILL.